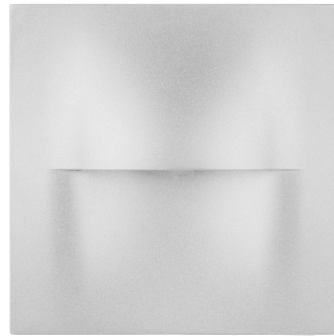
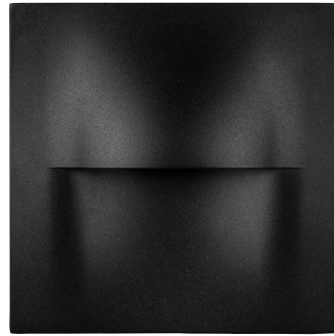
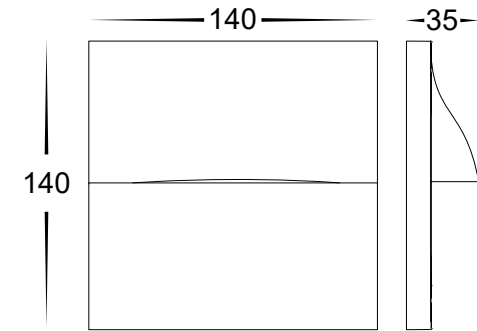


Lisca Aluminium Surface Mounted Wall Lights

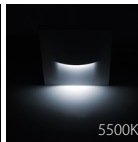
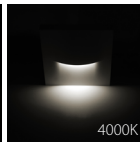
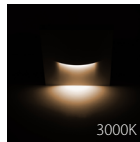
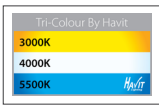
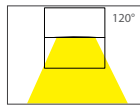
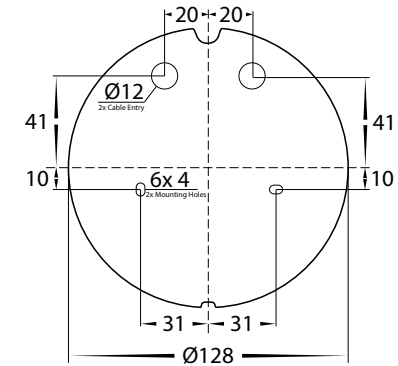
Name	Lisca
Material	Aluminium Cover with Plastic Mounting Base
Colour	Poly Powder Coated Black or White
IP Rating	IP65
Colour Temp	<input type="checkbox"/> 3000k <input type="checkbox"/> 4000k <input type="checkbox"/> 5500k
IK Rating	IK08
Installation Type	Wall - Surface Mounted
Diffuser Type	Clear Perspex
Lamp Base	Built in LED
Max Wattage	3w
Protection Class	240V = 2 (No Earth Required) 12v DC = 3 (No Earth Required)
Lamp Expectancy	<30,000hrs*
CRI	CRI>80
SDCM	<4
UGR	<19
Dimmable	No
Warranty	3 Years Replacement*



Dimensions



Mounting Base Dimensions



Warranty Terms & Conditions

Website

Product Ordering

Image	Part Number	Colour Temp	Lumens	Input Voltage	Beam Angle	Included LED	Barcode
	HV3228T-BLK-240V	<input type="checkbox"/> 3000K	150lm	240v	120°	TRI Colour 3w Built in LED	9350418040619
	HV3228T-BLK-12V	<input type="checkbox"/> 4000K <input type="checkbox"/> 5500K	160lm 155lm				12v DC
	HV3228T-WHT-240V	<input type="checkbox"/> 3000K	150lm	240v	120°	TRI Colour 3w Built in LED	9350418040626
	HV3228T-WHT-12V	<input type="checkbox"/> 4000K <input type="checkbox"/> 5500K	160lm 155lm				12v DC

Optional Havit Compatible Accessories

Image	Part Number	Description
Drivers		
	12v DC Non Dimmable LED Drivers	See Catalogue or Website for full range of Non Dimmable 12v DC LED Drivers

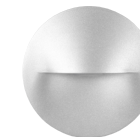
Related Products

[HV3227T-BLK](#)

[HV3227T-WHT](#)

[HV3229T-BLK](#)

[HV3229T-WHT](#)



Havit Lighting 143 Beauchamp Road, Matraville, N.S.W. 2036 | Phone: 02 9381 8300 | Fax: 02 9381 6661 | Email: sales@havit.com.au | Web: www.havit.com.au

*See Warranty Terms & Conditions for more information