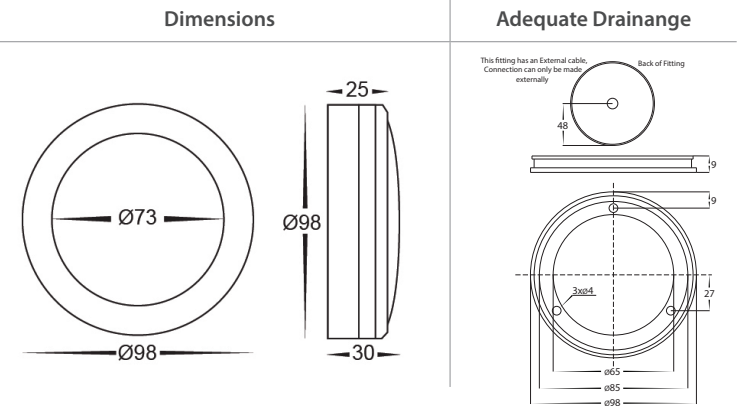
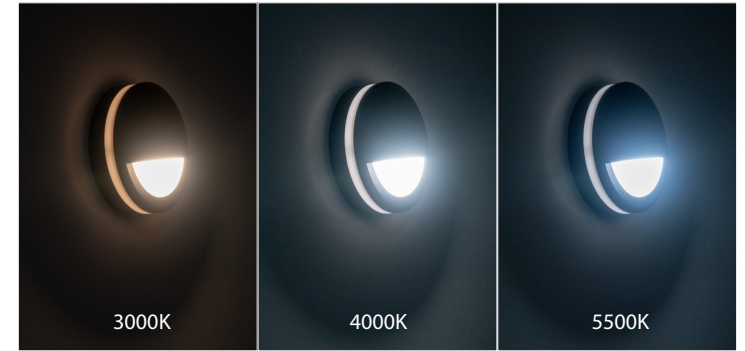


# Nava Aluminium Wall or Step Lights

Name	Nava
Material	Aluminium
Colour	Titanium or Poly Powder Coated Black
IP Rating	IP65
Colour Temp	<div style="display: flex; gap: 5px;"> <div style="width: 10px; height: 10px; background-color: #FFD700; border: 1px solid black;"></div> 3000k             <div style="width: 10px; height: 10px; background-color: #ADD8E6; border: 1px solid black;"></div> 4000k             <div style="width: 10px; height: 10px; background-color: #00CED1; border: 1px solid black;"></div> 5500k         </div>
IK Rating	IK06
Installation Type	Wall - Surface Mounted
Cable Length	150mm
Diffuser Type	Polycarbonate
Lamp Base	Built in LED
Max Wattage	5w
Protection Class	240v =1 (Earth Required) 12v DC = 3 (No Earth Required)
Lamp Expectancy	<30,000hrs
CRI	CRI>80
Dimmable	No
Warranty	3 Years Replacement



## Product Ordering

Image	Part Number	Colour Temp	Lumens	Input Voltage	Beam Angle	Included LED	Barcode
	HV2961T-TTM-12V	<div style="display: flex; gap: 5px;"> <div style="width: 10px; height: 10px; background-color: #FFD700; border: 1px solid black;"></div> 3000k                 <div style="width: 10px; height: 10px; background-color: #ADD8E6; border: 1px solid black;"></div> 4000k                 <div style="width: 10px; height: 10px; background-color: #00CED1; border: 1px solid black;"></div> 5500k             </div>	570lm 600lm 630lm	12V DC	120°	TRI Colour Built in 5w LED	9350418036001
	HV2961T-TTM-240V			240V AC			9350418035998
	HV2961T-BLK-12V			12V DC			9350418035981
	HV2961T-BLK-240V			240V AC			9350418035974

## Optional Havit Compatible Accessories

Image	Part Number	Description
	12v DC LED Drivers	See Catalogue or Website for full range of 12v DC LED Drivers
	HV9911	Small IP67 Weatherproof Connector
	HV9912	Medium IP67 Weatherproof Connector
	HV9913	Large IP67 Weatherproof Connector