

## PRODUCT SPECIFICATIONS

**Name:** Pinta

**Material:** 316 Stainless Steel

**Colour:** Stainless Steel

**CRI:** ≥80

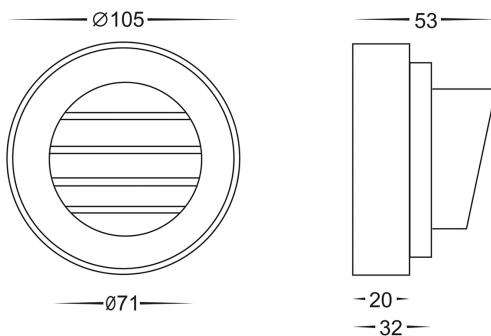
**IP Rating:** IP65

**Lamp Base:** Built in LED

**Wiring:** Parallel

**Dimmable:** No

**Warranty:** 2 years replacement\*\*



PART NUMBER	COLOUR TEMP	LUMENS	INPUT VOLTAGE	BEAM ANGLE	INCLUDED GLOBES
HV2905T-12V	3000k	160lm	12v DC	120°	2.3w Built in LED
	4000k	170lm			
	5500k	180lm			

12V models must be used with suitable 12v DC LED driver

\* Lumen output measured at source

\*\* See Warranty Terms and Conditions for more information

For more information contact Havit Lighting

ADDRESS:  
143 Beauchamp Road  
Matraville NSW 2036  
Australia

Tel: 02 9381 8300  
Fax: 02 9666 8881  
Email: sales@havit.com.au  
web: www.havit.com.au