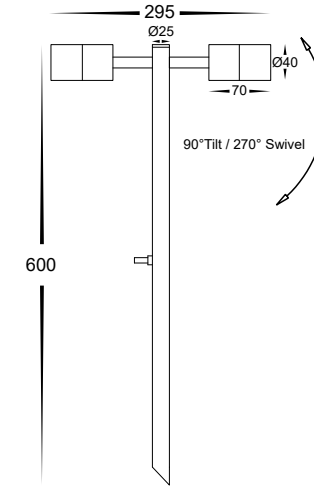


# Mini Tivah Aluminium Black Garden Spike Bollard Light

<b>Name</b>	Mini Tivah
<b>Material</b>	Aluminium
<b>Colour</b>	Poly Powder Coated Black
<b>IP Rating</b>	IP65
<b>Colour Temp</b>	<input checked="" type="checkbox"/> 3000k <input type="checkbox"/> 4000k
<b>IK Rating</b>	IK08
<b>Installation Type</b>	Ground - Spike
<b>Diffuser Type</b>	Clear Glass
<b>Lamp Base</b>	MR11
<b>Max Wattage</b>	2x 20w
<b>Cable Length</b>	2 Metres
<b>Protection Class</b>	3 (Low Voltage - No Earth Required)
<b>Lamp Expectancy</b>	<30,000hrs*
<b>CRI</b>	CRI>80
<b>SDCM</b>	<6
<b>UGR</b>	<45
<b>Dimmable</b>	No
<b>Warranty</b>	3 Years Replacement*



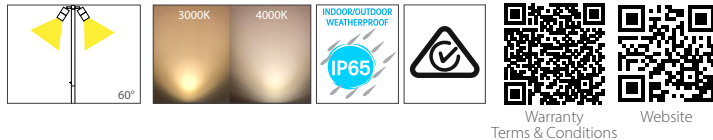
## Dimensions



## Related Products

[HV1423MR11NW](#)

[HV1426NW-BLK](#)



## Product Ordering

Image	Part Number	Colour Temp	Lumens	Input Voltage	Beam Angle	Included LED	Barcode
	<b>HV1425MR11NW</b>	<input checked="" type="checkbox"/> 3000K <input type="checkbox"/> 4000K	2x 270lm 2x 300lm	12v DC	60°	 2x 3w 3000k MR11 LED 2x 3w 4000k MR11 LED	9350418032454

## Optional Havit Compatible Accessories

Image	Part Number	Colour Temp	Input Voltage	Beam Angle	Included LED
<b>MR11 Optional Globes &amp; Drivers</b>					
	<a href="#">HV9311C</a>	5500K	12v DC	60°	3w MR11 LED
	<a href="#">12v DC LED Drivers</a>	See Catalogue or Website for full range of 12v DC LED Drivers			
<b>Weatherproof Connectors</b>					
	<a href="#">HV9911</a>	Small IP67 Weatherproof Connector			
	<a href="#">HV9912</a>	Medium IP67 Weatherproof Connector			
	<a href="#">HV9913</a>	Large IP67 Weatherproof Connector			



Havit Lighting 143 Beauchamp Road, Matraville, N.S.W. 2036 | Phone: 02 9381 8300 | Fax: 02 9381 6661 | Email: sales@havit.com.au | Web: www.havit.com.au

\*See Warranty Terms & Conditions for more information