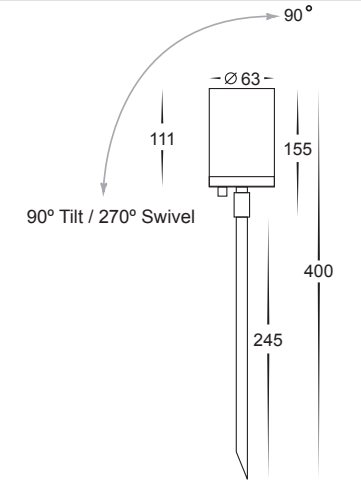


Eden 316 Stainless Steel Garden Spike Light

Name	Eden
Material	316 Stainless Steel
Colour	Stainless Steel
IP Rating	IP65
Colour Temp	<div style="display: flex; gap: 5px;"> <div style="width: 10px; height: 10px; background-color: #FFC000; border: 1px solid black;"></div> 3000k <div style="width: 10px; height: 10px; background-color: #ADD8E6; border: 1px solid black;"></div> 4000k <div style="width: 10px; height: 10px; background-color: #00B0F0; border: 1px solid black;"></div> 5500k </div>
IK Rating	IK08
Installation Type	Ground - Spike
Diffuser Type	Clear Glass
Lamp Base	MR16
Max Wattage	20w
Cable Length	2 Metres
Protection Class	MR16 = 3 (Low Voltage - No Earth Required)
Lamp Expectancy	<30,000hrs*
CRI	CRI>80
SDCM	<6
UGR	<45
Dimmable	No
Warranty	3 Years Replacement*



Dimensions



Related Products

[HV1412T](#)



Optional Havit Compatible Accessories

Image	Part Number	Colour Temp	Input Voltage	Beam Angle	Included LED
MR16 Optional Globes & Drivers					
	HV9507	3000K 4000K 5500K	12v DC	60°	TRI Colour 3/5/7w MR16 LED
	HV9508	3000K 4000K 5500K	24v DC	60°	TRI Colour 3/5/7w MR16 LED
	12v DC LED Drivers	See Catalogue or Website for full range of 12v DC LED Drivers			
Weatherproof Connectors					
	HV9911	Small IP67 Weatherproof Connector			
	HV9912	Medium IP67 Weatherproof Connector			
	HV9913	Large IP67 Weatherproof Connector			
Maintenance Kit					
	HV9971	Stainless Steel Maintenance Kit			



Tri-Colour By Havit
 3000K
 4000K
 5500K
 Havit

INDOOR/OUTDOOR
 WEATHERPROOF
 IP65
 Havit





Warranty Terms & Conditions Website

Product Ordering

Image	Part Number	Colour Temp	Lumens	Input Voltage	Beam Angle	Included LED	Barcode
	HV1402T	<div style="display: flex; gap: 5px;"> <div style="width: 10px; height: 10px; background-color: #FFC000; border: 1px solid black;"></div> 3000K <div style="width: 10px; height: 10px; background-color: #ADD8E6; border: 1px solid black;"></div> 4000K <div style="width: 10px; height: 10px; background-color: #00B0F0; border: 1px solid black;"></div> 5500K </div>	270lm 285lm 300lm	12v DC	120°	TRI Colour 5w MR16 LED	9350418015709



Havit Lighting 143 Beauchamp Road, Matraville, N.S.W. 2036 | Phone: 02 9381 8300 | Fax: 02 9381 6661 | Email: sales@havit.com.au | Web: www.havit.com.au

*See Warranty Terms & Conditions for more information