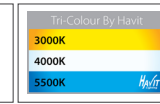
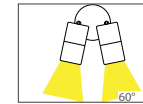
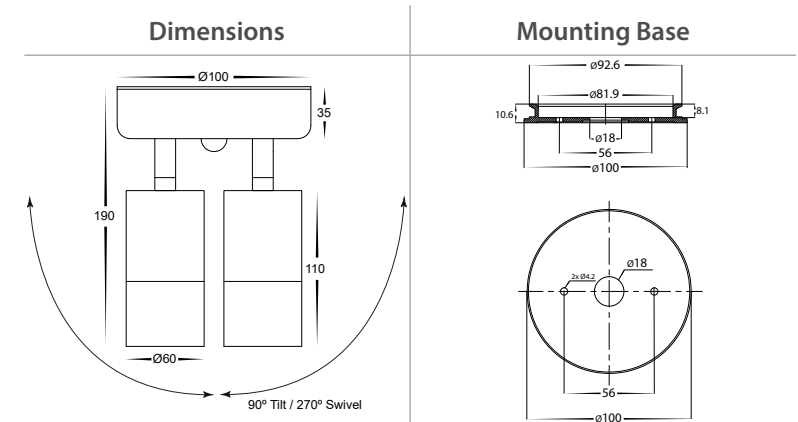
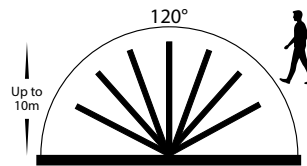
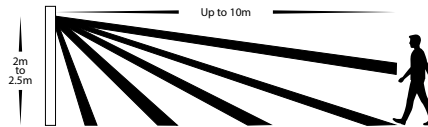


Tivah Aluminium White

Double Adjustable Spot Light with Sensor

Name	Tivah
Material	Aluminium
Colour	Poly Powder Coated White
IP Rating	IP65
Colour Temp	<div style="display: flex; gap: 5px;"> <div style="width: 10px; height: 10px; background-color: #FFD700; border: 1px solid black;"></div> 3000k <div style="width: 10px; height: 10px; background-color: #ADD8E6; border: 1px solid black;"></div> 4000k <div style="width: 10px; height: 10px; background-color: #00CED1; border: 1px solid black;"></div> 5500k </div>
IK Rating	IK10
Installation Type	Wall or Ceiling - Surface Mounted
Diffuser Type	Clear Glass
Lamp Base	Available in either GU10 or Built in LED
Max Wattage	2x 35w GU10 2x 12w
Protection Class	1 (requires Earth)
Lamp Expectancy	<30,000hrs*
Sensor Detection	120°
Detection Range	Up to 10m
Manual Override	Yes
Lux Settings	20 Lux to 1000 Lux
Time Settings	5 Seconds to 12 Minutes
CRI	CRI>80
SDCM	<6
UGR	<45
Dimmable	No
Warranty	3 Years Replacement*



Optional Havit Compatible Accessories

Image	Part Number	Colour Temp	Input Voltage	Beam Angle	Included LED
GU10 Globe					
	HV9509	3000K 4000K 5500K	240v AC	60°	TRI Colour 5/7/9w GU10 LED

Related Products

[Up Down](#)



[Fixed Down](#)



[Single Adjustable](#)



[Double Adjustable](#)



Product Ordering

Image	Part Number	Colour Temp	Lumens	Input Voltage	Beam Angle	Included LED	Barcode
	HV1335T-PIR	<div style="display: flex; gap: 5px;"> <div style="width: 10px; height: 10px; background-color: #FFD700; border: 1px solid black;"></div> 3000K <div style="width: 10px; height: 10px; background-color: #ADD8E6; border: 1px solid black;"></div> 4000K <div style="width: 10px; height: 10px; background-color: #00CED1; border: 1px solid black;"></div> 5500K </div>	2x 240-560lm 2x 255-595lm 2x 270-630lm	240v AC	60°	TRI Colour 2x 3/5/7w GU10 LED	9350418029256
	HV1336T-PIR	<div style="display: flex; gap: 5px;"> <div style="width: 10px; height: 10px; background-color: #FFD700; border: 1px solid black;"></div> 3000K <div style="width: 10px; height: 10px; background-color: #ADD8E6; border: 1px solid black;"></div> 4000K <div style="width: 10px; height: 10px; background-color: #00CED1; border: 1px solid black;"></div> 5500K </div>	2x 1080lm 2x 1140lm 2x 1200lm			TRI Colour 2x 12w Built in LED	9350418029263



Havit Lighting 143 Beauchamp Road, Matraville, N.S.W. 2036 | Phone: 02 9381 8300 | Fax: 02 9381 6661 | Email: sales@havitt.com.au | Web: www.havitt.com.au

*See Warranty Terms & Conditions for more information