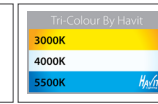
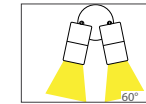
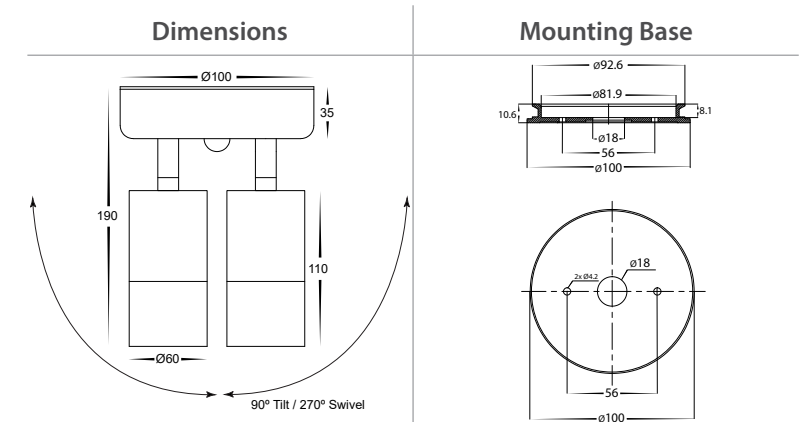
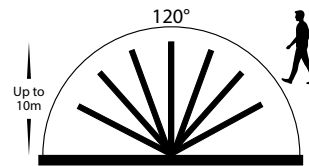
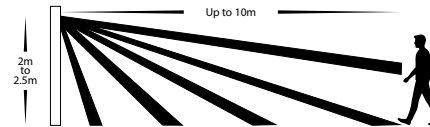


Tivah Aluminium Black

Double Adjustable Spot Light with Sensor

Name	Tivah
Material	Aluminium
Colour	Poly Powder Coated Black
IP Rating	IP65
Colour Temp	 3000k 4000k 5500k
IK Rating	IK10
Installation Type	Wall or Ceiling - Surface Mounted
Diffuser Type	Clear Glass
Lamp Base	Available in either GU10 or Built in LED
Max Wattage	2x 35w GU10 2x 12w
Protection Class	1 (requires Earth)
Lamp Expectancy	<30,000hrs*
Sensor Detection	120°
Detection Range	Up to 10m
Manual Override	Yes
Lux Settings	20 Lux to 1000 Lux
Time Settings	5 Seconds to 12 Minutes
CRI	CRI>80
SDCM	<6
UGR	<45
Dimmable	No
Warranty	3 Years Replacement*



Optional Havit Compatible Accessories

Image	Part Number	Colour Temp	Input Voltage	Beam Angle	Included LED
GU10 Globe					
	HV9509	3000K 4000K 5500K	240v AC	60°	TRI Colour 5/7/9w GU10 LED

Related Products

[Up Down](#)



[Fixed Down](#)



[Single Adjustable](#)



[Double Adjustable](#)



Product Ordering

Image	Part Number	Colour Temp	Lumens	Input Voltage	Beam Angle	Included LED	Barcode
	HV1325T-PIR	 3000K 4000K 5500K	2x 240-560lm 2x 255-595lm 2x 270-630lm	240v AC	60°	TRI Colour 2x 3/5/7w GU10 LED	9350418029232
	HV1326T-PIR		2x 1080lm 2x 1140lm 2x 1200lm			TRI Colour 2x 12w Built in LED	9350418029249



Havit Lighting 143 Beauchamp Road, Matraville, N.S.W. 2036 | Phone: 02 9381 8300 | Fax: 02 9381 6661 | Email: sales@havit.com.au | Web: www.havit.com.au

*See Warranty Terms & Conditions for more information