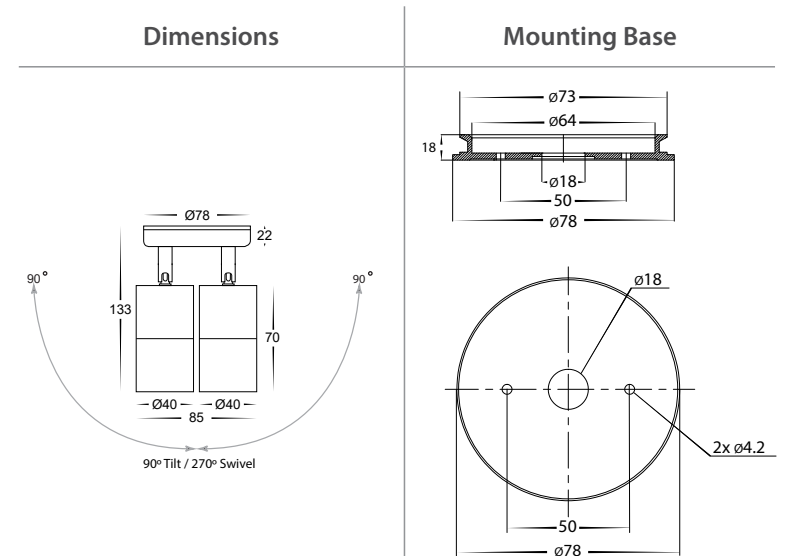


Mini Tivah 316 Stainless Steel Double Adjustable Spot Light

Name	Tivah
Material	316 Stainless Steel
Colour	Stainless Steel
IP Rating	IP65
Colour Temp	<input type="checkbox"/> 3000k <input type="checkbox"/> 4000k
IK Rating	IK10
Installation Type	Wall or Ceiling - Surface Mounted
Diffuser Type	Clear Glass
Lamp Base	MR11
Max Wattage	2x 20w MR11
Protection Class	3 (Low Voltage - No Earth Required)
Lamp Expectancy	<30,000hrs*
CRI	CRI>80
SDCM	<6
UGR	<42
Dimmable	No
Warranty	3 Years Replacement*



Optional Havit Compatible Accessories

Image	Part Number	Colour Temp	Input Voltage	Beam Angle	Included LED
Optional Globes & Drivers					
	HV9311C	5500K	12v DC	60°	3w MR11 LED
	12v DC LED Drivers	See Catalogue or Website for full range of 12v DC LED Drivers			
Maintenance Kit					
	HV9971	Stainless Steel Maintenance Kit			



Product Ordering

Image	Part Number	Colour Temp	Lumens	Input Voltage	Beam Angle	Included LED	Barcode
	HV1307MR11NW	<input type="checkbox"/> 3000K <input type="checkbox"/> 4000K	2x 270lm 2x 300lm	12v DC	60°	2x 3000k MR11 LED 2x 4000k MR11 LED	9350418018786

Related Products



Havit Lighting 143 Beauchamp Road, Matraville, N.S.W. 2036 | Phone: 02 9381 8300 | Fax: 02 9381 6661 | Email: sales@havit.com.au | Web: www.havit.com.au

*See Warranty Terms & Conditions for more information