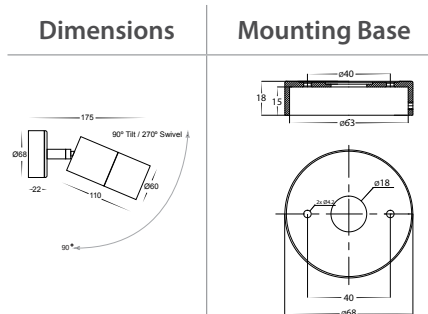


# Tivah Solid Brass Graphite Single Adjustable Spot Light

Name	Tivah
Material	Solid Brass
Colour	Graphite
IP Rating	IP65
Colour Temp	<input type="checkbox"/> 3000k <input type="checkbox"/> 4000k <input type="checkbox"/> 5500k
IK Rating	IK10
Installation Type	Wall or Ceiling - Surface Mounted
Diffuser Type	Clear Glass
Lamp Base	Available in either GU10 or MR16
Max Wattage	35w GU10   20w MR16
Protection Class	GU10 = 1 (requires Earth) MR16 = 3 (Low Voltage - No Earth Required)
Lamp Expectancy	<30,000hrs*
CRI	CRI>80
SDCM	<6
UGR	<45
Dimmable	No - Not with Supplied Globes
Warranty	3 Years Replacement*



## Product Ordering

Image	Part Number	Colour Temp	Lumens	Input Voltage	Beam Angle	Included LED	Barcode
	<b>HV1275T</b>	<input type="checkbox"/> 3000K <input type="checkbox"/> 4000K <input type="checkbox"/> 5500K	240-560lm 255-595lm 270-630lm	240v AC	60°	<b>TRI Colour</b> 3/5/7w GU10 LED	9350418019493
	<b>HV1277GU10T</b>		270lm 285lm 300lm			<b>TRI Colour</b> 5w GU10 LED	9350418019509
	<b>HV1277MR16T</b>		12v DC	120°	<b>TRI Colour</b> 5w MR16 LED	9350418019516	



**i** Solid Brass and Solid Copper fittings will naturally tarnish. Solid brass fittings with additional coatings (Antique Brass & Graphite) may tarnish through the coating when installed in outdoor environments

## Optional Havit Compatible Accessories

Image	Part Number	Colour Temp	Input Voltage	Beam Angle	Included LED
<b>GU10 Dimmable Globe</b>					
	<a href="#">HV9509</a>	3000K 4000K 5500K	240v AC	60°	<b>TRI Colour</b> 5/7/9w GU10 LED
<b>MR16 Optional Globes &amp; Drivers</b>					
	<a href="#">HV9507</a>	3000K 4000K 5500K	12v DC	60°	<b>TRI Colour</b> 3/5/7w MR16 LED
	<a href="#">HV9508</a>	3000K 4000K 5500K	24v DC	60°	<b>TRI Colour</b> 3/5/7w MR16 LED
	<a href="#">12v DC LED Drivers</a>	See Catalogue or Website for full range of 12v DC LED Drivers			

## Related Products



\*See Warranty Terms & Conditions for more information