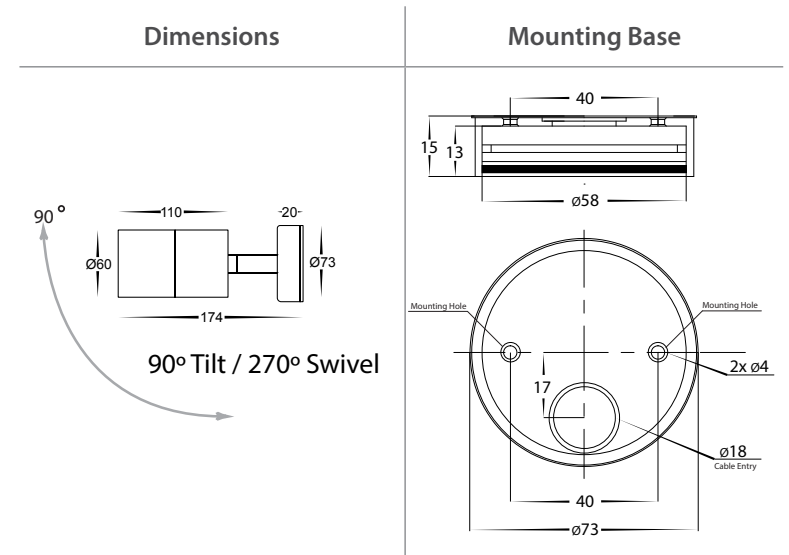


Fortis 304 Stainless Steel Single Adjustable Spot Light

Name	Fortis
Material	304 Stainless Steel
Colour	Stainless Steel
IP Rating	IP54
Colour Temp	<div style="display: flex; gap: 5px;"> <div style="width: 10px; height: 10px; background-color: #FFD700; border: 1px solid black;"></div> 3000k <div style="width: 10px; height: 10px; background-color: #ADD8E6; border: 1px solid black;"></div> 4000k <div style="width: 10px; height: 10px; background-color: #00CED1; border: 1px solid black;"></div> 5500k </div>
IK Rating	IK10
Installation Type	Wall or Ceiling - Surface Mounted
Diffuser Type	Clear Glass
Lamp Base	GU10
Max Wattage	35w GU10
Protection Class	1 (requires Earth)
Lamp Expectancy	<30,000hrs*
CRI	CRI>80
SDCM	<6
UGR	<45
Dimmable	No - Not with Supplied Globes
Warranty	3 Years Replacement*



Optional Havit Compatible Accessories

Image	Part Number	Colour Temp	Input Voltage	Beam Angle	Included LED
GU10 Dimmable Globes					
	HV9506D	3000K 4000K 5500K	240v AC	60°	TRI Colour 3/5/7w GU10 LED
	HV9509	3000K 4000K 5500K	240v AC	60°	TRI Colour 5/7/9w GU10 LED
Maintenance Kit					
	HV9971	Stainless Steel Maintenance Kit			

Related Products

[Up
Down](#)



[Fixed
Down](#)



[Double
Adjustable](#)



Product Ordering

Image	Part Number	Colour Temp	Lumens	Input Voltage	Beam Angle	Included LED	Barcode
	HV1272T	<div style="display: flex; gap: 5px;"> <div style="width: 10px; height: 10px; background-color: #FFD700; border: 1px solid black;"></div> 3000K <div style="width: 10px; height: 10px; background-color: #ADD8E6; border: 1px solid black;"></div> 4000K <div style="width: 10px; height: 10px; background-color: #00CED1; border: 1px solid black;"></div> 5500K </div>	270lm 285lm 300lm	240v AC	120°	TRI Colour 5w GU10 LED	9350418015020



Havit Lighting 143 Beauchamp Road, Matraville, N.S.W. 2036 | Phone: 02 9381 8300 | Fax: 02 9381 6661 | Email: sales@havit.com.au | Web: www.havit.com.au

*See Warranty Terms & Conditions for more information