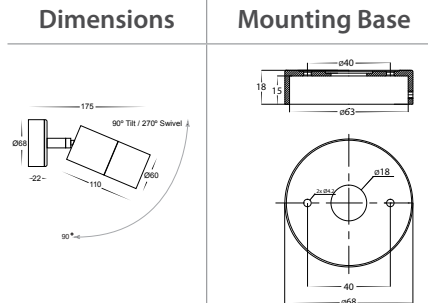


# Tivah Solid Brass

## Single Adjustable Spot Light

Name	Tivah
Material	Solid Brass
Colour	Brass - Will Age over Time
IP Rating	IP65
Colour Temp	<div style="display: flex; gap: 5px;"> <div style="width: 10px; height: 10px; background-color: #FFD700; border: 1px solid black;"></div> 3000k             <div style="width: 10px; height: 10px; background-color: #ADD8E6; border: 1px solid black;"></div> 4000k             <div style="width: 10px; height: 10px; background-color: #00CED1; border: 1px solid black;"></div> 5500k           </div>
IK Rating	IK10
Installation Type	Wall or Ceiling - Surface Mounted
Diffuser Type	Clear Glass
Lamp Base	Available in either GU10 or MR16
Max Wattage	35w GU10   20w MR16
Protection Class	GU10 = 1 (requires Earth) MR16 = 3 (Low Voltage - No Earth Required)
Lamp Expectancy	<30,000hrs*
CRI	CRI>80
SDCM	<6
UGR	<45
Dimmable	Yes - Triac Dimmable (HV1255T Only)
Warranty	3 Years Replacement*

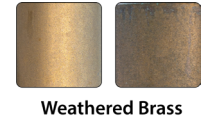


### Product Ordering

Image	Part Number	Colour Temp	Lumens	Input Voltage	Beam Angle	Included LED	Barcode
	<b>HV1255T</b>	<div style="display: flex; gap: 5px;"> <div style="width: 10px; height: 10px; background-color: #FFD700; border: 1px solid black;"></div> 3000K             <div style="width: 10px; height: 10px; background-color: #ADD8E6; border: 1px solid black;"></div> 4000K             <div style="width: 10px; height: 10px; background-color: #00CED1; border: 1px solid black;"></div> 5500K           </div>	240-560lm 255-595lm 270-630lm	240v AC	60°	<b>TRI Colour</b> 3/5/7w GU10 LED	9350418027498
	<b>HV1257GU10T</b>		270lm 285lm 300lm			<b>TRI Colour</b> 5w GU10 LED	9350418027504
	<b>HV1257MR16T</b>		12v DC	120°	<b>TRI Colour</b> 5w MR16 LED	9350418027511	



**i** Solid Brass and Solid Copper fittings will naturally tarnish, Solid brass fittings with additional coatings (Antique Brass & Graphite) may tarnish through the coating when installed in outdoor environments



### Optional Havit Compatible Accessories

Image	Part Number	Colour Temp	Input Voltage	Beam Angle	Included LED
<b>GU10 Dimmable Globe</b>					
	<a href="#">HV9509</a>	3000K 4000K 5500K	240v AC	60°	<b>TRI Colour</b> 5/7/9w GU10 LED
<b>MR16 Optional Globes &amp; Drivers</b>					
	<a href="#">HV9507</a>	3000K 4000K 5500K	12v DC	60°	<b>TRI Colour</b> 3/5/7w MR16 LED
	<a href="#">HV9508</a>	3000K 4000K 5500K	24v DC	60°	<b>TRI Colour</b> 3/5/7w MR16 LED
	<a href="#">12v DC LED Drivers</a>	See Catalogue or Website for full range of 12v DC LED Drivers			

### Related Products



\*See Warranty Terms & Conditions for more information