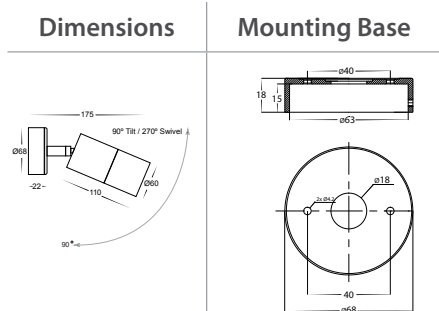
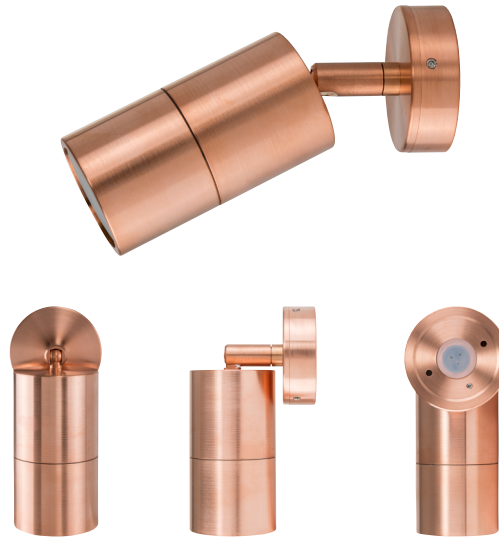


# Tivah Solid Copper

## Single Adjustable Spot Light

<b>Name</b>	Tivah
<b>Material</b>	Solid Copper
<b>Colour</b>	Copper - Will Age over Time
<b>IP Rating</b>	IP65
<b>Colour Temp</b>	<div style="display: flex; gap: 5px;"> <div style="width: 10px; height: 10px; background-color: #FFD700; border: 1px solid black;"></div> 3000k             <div style="width: 10px; height: 10px; background-color: #ADD8E6; border: 1px solid black;"></div> 4000k             <div style="width: 10px; height: 10px; background-color: #008080; border: 1px solid black;"></div> 5500k           </div>
<b>IK Rating</b>	IK10
<b>Installation Type</b>	Wall or Ceiling - Surface Mounted
<b>Diffuser Type</b>	Clear Glass
<b>Lamp Base</b>	Available in either GU10 or MR16
<b>Max Wattage</b>	35w GU10   20w MR16
<b>Protection Class</b>	GU10 = 1 (requires Earth) MR16 = 3 (Low Voltage - No Earth Required)
<b>Lamp Expectancy</b>	<30,000hrs*
<b>CRI</b>	CRI>80
<b>SDCM</b>	<6
<b>UGR</b>	<45
<b>Dimmable</b>	Yes - Triac Dimmable (HV1215T Only)
<b>Warranty</b>	3 Years Replacement*

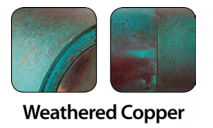


### Product Ordering

Image	Part Number	Colour Temp	Lumens	Input Voltage	Beam Angle	Included LED	Barcode
	<b>HV1215T</b>	<div style="display: flex; gap: 5px;"> <div style="width: 10px; height: 10px; background-color: #FFD700; border: 1px solid black;"></div> 3000K             <div style="width: 10px; height: 10px; background-color: #ADD8E6; border: 1px solid black;"></div> 4000K             <div style="width: 10px; height: 10px; background-color: #008080; border: 1px solid black;"></div> 5500K           </div>	240-560lm 255-595lm 270-630lm	240v AC	60°	<b>TRI Colour</b> 3/5/7w GU10 LED	9350418015303
	<b>HV1217GU10T</b>		270lm 285lm 300lm			<b>TRI Colour</b> 5w GU10 LED	9350418015310
	<b>HV1217MR16T</b>		12v DC	120°	<b>TRI Colour</b> 5w MR16 LED	9350418015327	



**i** Solid Brass and Solid Copper fittings will naturally tarnish, Solid brass fittings with additional coatings (Antique Brass & Graphite) may tarnish through the coating when installed in outdoor environments



### Optional Havit Compatible Accessories

Image	Part Number	Colour Temp	Input Voltage	Beam Angle	Included LED
<b>GU10 Dimmable Globe</b>					
	<a href="#">HV9509</a>	3000K 4000K 5500K	240v AC	60°	<b>TRI Colour</b> 5/7/9w GU10 LED
<b>MR16 Optional Globes &amp; Drivers</b>					
	<a href="#">HV9507</a>	3000K 4000K 5500K	12v DC	60°	<b>TRI Colour</b> 3/5/7w MR16 LED
	<a href="#">HV9508</a>	3000K 4000K 5500K	24v DC	60°	<b>TRI Colour</b> 3/5/7w MR16 LED
	<a href="#">12v DC LED Drivers</a>	See Catalogue or Website for full range of 12v DC LED Drivers			

### Related Products



\*See Warranty Terms & Conditions for more information