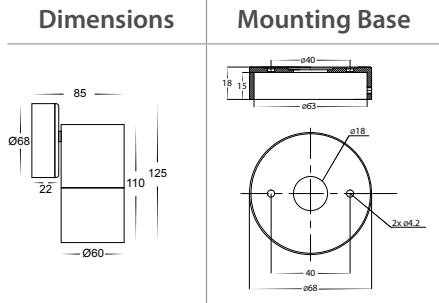


Tivah Solid Brass Graphite Fixed Down Wall Light

Name	Tivah
Material	Solid Brass
Colour	Graphite
IP Rating	IP65
Colour Temp	<input type="checkbox"/> 3000k <input type="checkbox"/> 4000k <input type="checkbox"/> 5500k
IK Rating	IK10
Installation Type	Wall - Surface Mounted
Diffuser Type	Clear Glass
Lamp Base	Available in either GU10 or MR16
Max Wattage	35w GU10 20w MR16
Protection Class	GU10 = 1 (requires Earth) MR16 = 3 (Low Voltage - No Earth Required)
Lamp Expectancy	<30,000hrs*
CRI	CRI>80
SDCM	<6
UGR	<45
Dimmable	No - Not with Supplied Globes
Warranty	3 Years Replacement*



i Solid Brass and Solid Copper fittings will naturally tarnish, Solid brass fittings with additional coatings (Antique Brass & Graphite) may tarnish through the coating when installed in outdoor environments



Product Ordering

Image	Part Number	Colour Temp	Lumens	Input Voltage	Beam Angle	Included LED	Barcode
	HV1175T	<input type="checkbox"/> 3000K <input type="checkbox"/> 4000K <input type="checkbox"/> 5500K	240-560lm 255-595lm 270-630lm	240v AC	60°	TRI Colour 3/5/7w GU10 LED	9350418019462
	HV1177GU10T		270lm 285lm 300lm			TRI Colour 5w GU10 LED	9350418019479
	HV1177MR16T		12v DC	120°	TRI Colour 5w MR16 LED	9350418019486	

Optional Havit Compatible Accessories

Image	Part Number	Colour Temp	Input Voltage	Beam Angle	Included LED
GU10 Dimmable Globe					
	HV9509	3000K 4000K 5500K	240v AC	60°	TRI Colour 5/7/9w GU10 LED
MR16 Optional Globes & Drivers					
	HV9507	3000K 4000K 5500K	12v DC	60°	TRI Colour 3/5/7w MR16 LED
	HV9508	3000K 4000K 5500K	24v DC	60°	TRI Colour 3/5/7w MR16 LED
	12v DC LED Drivers	See Catalogue or Website for full range of 12v DC LED Drivers			

Related Products



*See Warranty Terms & Conditions for more information