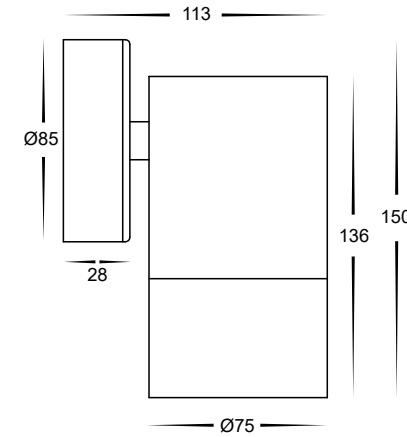


Maxi Tivah Aluminium Black Fixed Down Wall Light

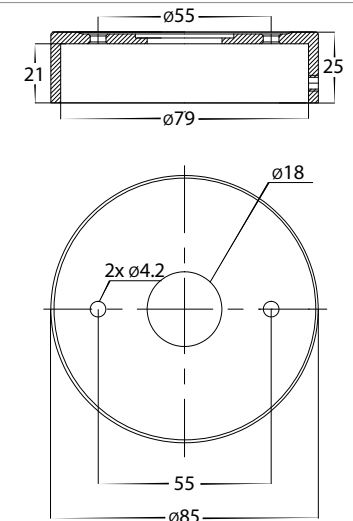
Name	Tivah
Material	Aluminium
Colour	Poly Powder Coated Black
IP Rating	IP65
Colour Temp	<div style="display: flex; gap: 5px;"> <div style="width: 10px; height: 10px; background-color: #FFD700; border: 1px solid black;"></div> 3000k <div style="width: 10px; height: 10px; background-color: #ADD8E6; border: 1px solid black;"></div> 4000k <div style="width: 10px; height: 10px; background-color: #00CED1; border: 1px solid black;"></div> 5500k </div>
IK Rating	IK10
Installation Type	Wall - Surface Mounted
Diffuser Type	Clear Glass
Lamp Base	Built in LED
Max Wattage	1x 12w
Protection Class	1 (Requires Earth)
Lamp Expectancy	<30,000hrs*
CRI	CRI>80
SDCM	<6
UGR	<45
Dimmable	Yes - Triac Dimmable
Warranty	3 Years Replacement*



Dimensions



Mounting Base



Optional Havit Compatible Accessories

Image	Part Number	Description
Dimmer		
	HV9625	Triac Dimmer - Max 300w LED



Product Ordering

Image	Part Number	Colour Temp	Lumens	Input Voltage	Beam Angle	Included LED	Barcode
	HV1128T	<div style="display: flex; gap: 5px;"> <div style="width: 10px; height: 10px; background-color: #FFD700; border: 1px solid black;"></div> 3000K <div style="width: 10px; height: 10px; background-color: #ADD8E6; border: 1px solid black;"></div> 4000K <div style="width: 10px; height: 10px; background-color: #00CED1; border: 1px solid black;"></div> 5500K </div>	1080lm 1140lm 1200lm	240v AC	60°	TRI Colour 12w Built in LED	9350418018892

Related Products



Havit Lighting 143 Beauchamp Road, Matraville, N.S.W. 2036 | Phone: 02 9381 8300 | Fax: 02 9381 6661 | Email: sales@havit.com.au | Web: www.havit.com.au

*See Warranty Terms & Conditions for more information