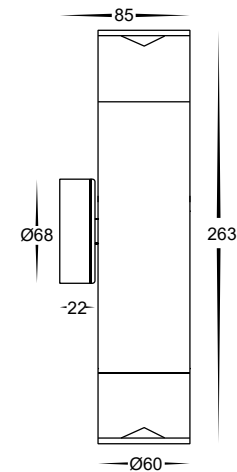


Highlite Aluminium Titanium Up & Down Wall Light

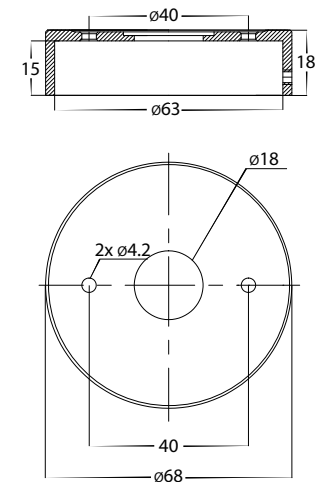
Name	Highlite
Material	Aluminium
Colour	Titanium
IP Rating	IP65
Colour Temp	■ 3000k ■ 4000k ■ 5500k
IK Rating	IK06
Installation Type	Wall - Surface Mounted
Diffuser Type	Clear Perspex
Lamp Base	GU10
Max Wattage	2x 10w GU10 (LED Globes Only)
Protection Class	1 (requires Earth)
Lamp Expectancy	<30,000hrs*
CRI	CRI>80
SDCM	<6
UGR	<30
Dimmable	No - Not with Supplied Globes
Warranty	3 Years Replacement*



Dimensions

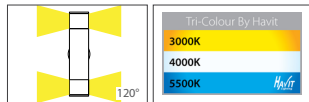


Mounting Base



Optional Havit Compatible Accessories

Image	Part Number	Colour Temp	Input Voltage	Beam Angle	Included LED
GU10 Dimmable Globes					
	HV9506D	3000K 4000K 5500K	240v AC	60°	TRI Colour 3/5/7w GU10 LED
	HV9509	3000K 4000K 5500K	240v AC	60°	TRI Colour 5/7/9w GU10 LED



Warranty
Terms & Conditions

Website



Product Ordering

Image	Part Number	Colour Temp	Lumens	Input Voltage	Beam Angle	Included LED	Barcode
	HV1089T-TTM-240V	■ 3000K ■ 4000K ■ 5500K	2x 270lm 2x 285lm 2x 300lm	240v AC	120°	TRI Colour 2x 5w GU10 LED	9350418015051

Related Products

[Garden Spike](#)



[Bollard Light](#)



Havit Lighting 143 Beauchamp Road, Matraville, N.S.W. 2036 | Phone: 02 9381 8300 | Fax: 02 9381 6661 | Email: sales@havit.com.au | Web: www.havit.com.au

*See Warranty Terms & Conditions for more information