

## DIY Kit Instructions:

### Step 1

Choose the number of fittings required.

### Step 2

Work out the best cable configuration, (Must complete step 1 first)

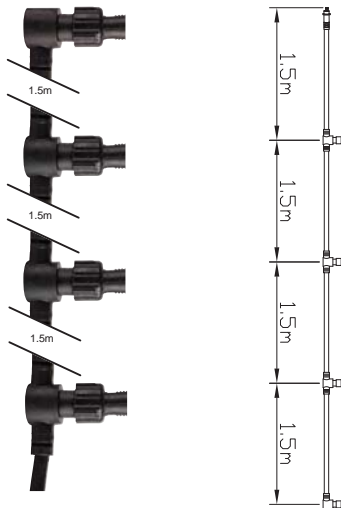
- 1 cable (1x HV2830) = 4x fittings,
- 2 cables (2x HV2830) = 7x fittings,
- 3 cables (3x HV2830) = 10x fittings,
- 4 cables (4x HV2830) = 13x fittings,
- 5 cables (5x HV2830) = 15x fittings.

### Step 3

Choose from Cool White (HV2833C), Warm White (HV2833W), Blue (HV2833B) or you can use a combination of colours.

### Step 4

Add your driver.  
Havit compatible driver HV2832.



## HV2830

4 Light rubber cable for DIY Deck Light kits

1500mm between each outlet

Max 15 fittings per run

6000mm total length

IP rating: IP67



## HV2832

**12v 15w**

DIY decklight driver

To be used with:

-HV2830

-HV2833B

-HV2833C

-HV2833W

15w 12v DC

IP Rating: IP66

