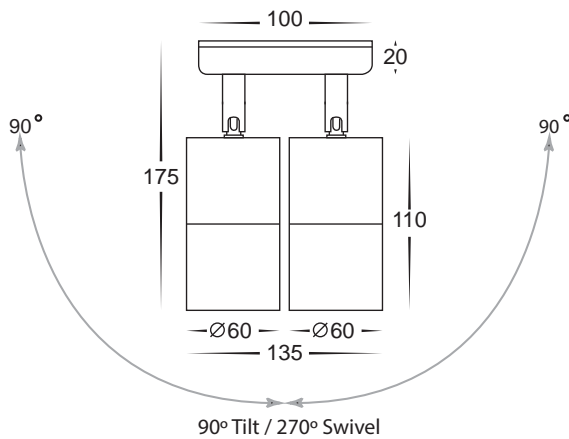


Titanium Double Adjustable Spot Lights

- Double adjustable wall pillar light
- Titanium coloured aluminium
- 90° Tilt & 270° Swivel on both heads
- Includes a matching aluminium backing plate
- High output reflector to maximise light
- 240v GU10 2x35w max/12v MR16 2x20w max
- IP rating: IP65



Titanium Double Adjustable Spot Lights

IMAGE	PART NUMBER	COLOUR TEMP	OUTPUT	POWER	INCLUDED GLOBES
	HV1385C	Cool white, 6000k	2x 500lm	240v LED 20w	2x 10w COB LED globes
	HV1385W	Warm white, 3000k	2x 460lm	240v LED 20w	2x 10w COB LED globes
	HV1386	NA	NA	240v GU10 2x35w max	NA
	HV1387GU10C	Cool white, 6000k	2x 300lm	240v LED 10w	2x 5w LED globes
	HV1387GU10W	Warm white, 3000k	2x 250lm	240v LED 10w	2x 5w LED globes
	HV1387MR16C	Cool white, 6000k	2x 300lm	12v LED 10w	2x 5w LED globes
	HV1387MR16W	Warm white, 3000k	2x 250lm	12v LED 10w	2x 5w LED globes

All globes supplied with fittings are non dimmable. If you require 240v dimmable globes refer to pages (169 - 178)

All low voltage products that specify LED or are supplied with a 12v LED globe must be used with a suitable LED driver, refer to pages (188 - 192)