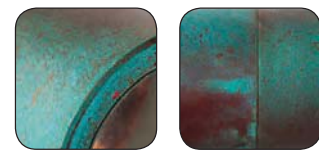
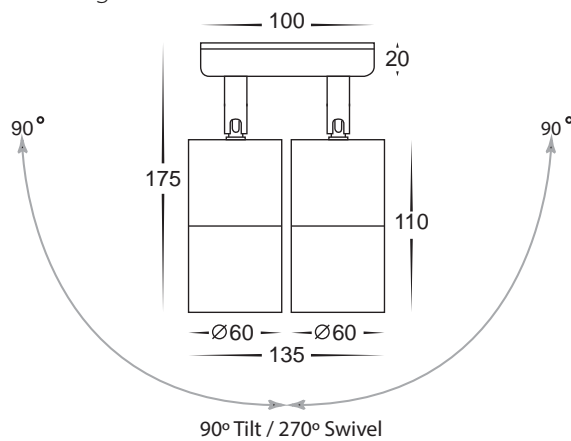




# Solid Copper Double Adjustable Spot Lights

- Double adjustable wall pillar light
- Solid copper body
- 90° Tilt & 270° Swivel on both heads
- Fast weathering for classic aged appearance
- Includes a matching backing plate
- High output reflector to maximise light
- 240v GU10 2x35w max/12v MR16 2x20w max
- IP rating: IP65



**Weathered Copper**

## Solid Copper Double Adjustable Spot Lights

IMAGE	PART NUMBER	COLOUR TEMP	OUTPUT	POWER	INCLUDED GLOBES
	<b>HV1315C</b>	Cool white, 6000k	2x 500lm	240v LED 20w	2x 10w COB LED globes
	<b>HV1315W</b>	Warm white, 3000k	2x 460lm	240v LED 20w	2x 10w COB LED globes
	<b>HV1316</b>	NA	NA	240v GU10 2x35w max	NA
	<b>HV1317GU10C</b>	Cool white, 6000k	2x 300lm	240v LED 10w	2x 5w LED globes
	<b>HV1317GU10W</b>	Warm white, 3000k	2x 250lm	240v LED 10w	2x 5w LED globes
	<b>HV1317MR16C</b>	Cool white, 6000k	2x 300lm	12v LED 10w	2x 5w LED globes
	<b>HV1317MR16W</b>	Warm white, 3000k	2x 250lm	12v LED 10w	2x 5w LED globes

All globes supplied with fittings are non dimmable. If you require 240v dimmable globes refer to pages (169 - 178)

All low voltage products that specify LED or are supplied with a 12v LED globe must be used with a suitable LED driver, refer to pages (188 - 192)