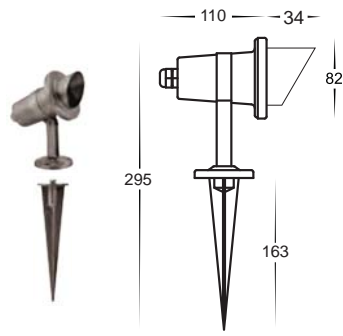


316 Stainless Steel Spike and surface mounted spots

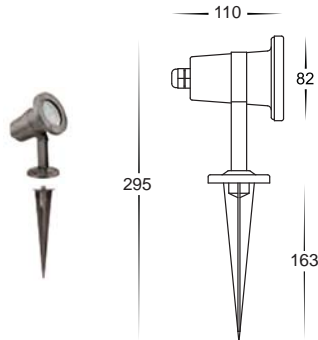


- Spike and surface mounted spot light with hood
- Stainless steel 316 marine grade
- 400mm reinforced cable
- 12v MR16 20w max
- IP rating: IP66
- Refer to pages 188-192 for suitable LED drivers

IMAGE	PART NUMBER	COLOUR TEMP	OUTPUT	POWER	INCLUDED GLOBES
	HV3501C	Cool white, 6000k	300lm	12v LED 5w	5w LED globe
	HV3501W	Warm white, 3000k	250lm	12v LED 5w	5w LED globe

All low voltage products that specify LED or are supplied with a 12v LED globe must be used with a suitable LED driver, refer to pages (188 - 192)

316 Stainless Steel Spike and surface mounted spots



- Spike and surface mounted spot light
- Stainless steel 316 marine grade
- 400mm reinforced cable
- 12v MR16 20w max
- IP rating: IP66
- Refer to pages 188-192 for suitable LED drivers

IMAGE	PART NUMBER	COLOUR TEMP	OUTPUT	POWER	INCLUDED GLOBES
	HV3502C	Cool white, 6000k	300lm	12v LED 5w	5w LED globe
	HV3502W	Warm white, 3000k	250lm	12v LED 5w	5w LED globe

All low voltage products that specify LED or are supplied with a 12v LED globe must be used with a suitable LED driver, refer to pages (188 - 192)

316 Stainless Steel LED Mini Spike



- Mini spike light
- Stainless steel 316 marine grade
- 1m reinforced cable
- IP rating: IP44
- Refer to pages 188-192 for suitable LED drivers

IMAGE	PART NUMBER	COLOUR TEMP	OUTPUT	POWER	INCLUDED GLOBES
	HV3504W	Warm white, 3000k	30lm	12v LED 0.5w	Built in 0.5w LED

All low voltage products that specify LED or are supplied with a 12v LED globe must be used with a suitable LED driver, refer to pages (188 - 192)