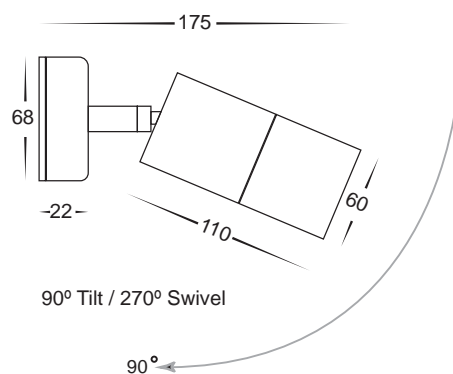


Gold Single Adjustable Spot Lights



- Single adjustable wall pillar light
- Gold coloured aluminium
- 90° Tilt & 270° Swivel
- Includes a matching aluminium backing plate
- High output reflector to maximise light
- 240v GU10 35w max/12v MR16 20w max
- IP rating: IP65



Gold Single Adjustable Spot Lights

IMAGE	PART NUMBER	COLOUR TEMP	OUTPUT	POWER	INCLUDED GLOBES
	HV1255C	Cool white, 6000k	500lm	240v LED 10w	10w COB LED globe
	HV1255W	Warm white, 3000k	460lm	240v LED 10w	10w COB LED globe
	HV1256	NA	NA	240v GU10 35w max	NA
	HV1257GU10C	Cool white, 6000k	300lm	240v LED 5w	5w LED globe
	HV1257GU10W	Warm white, 3000k	250lm	240v LED 5w	5w LED globe
	HV1257MR16C	Cool white, 6000k	300lm	12v LED 5w	5w LED globe
	HV1257MR16W	Warm white, 3000k	250lm	12v LED 5w	5w LED globe

All globes supplied with fittings are non dimmable. If you require 240v dimmable globes refer to pages (169 - 178)

All low voltage products that specify LED or are supplied with a 12v LED globe must be used with a suitable LED driver, refer to pages (188 - 192)