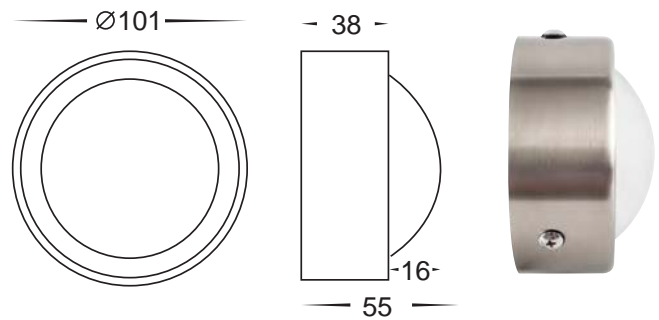


# 316 Stainless Steel Surface Mounted Step Lights



- Surface mounted step light
- Stainless Steel 316 marine grade
- Frosted tempered glass
- 240v G9 25w max/12v G4 20w max
- IP Rating: IP54



## 316 Stainless Steel Surface Mounted Step Lights

IMAGE	PART NUMBER	COLOUR TEMP	OUTPUT	POWER	INCLUDED GLOBES
	<b>HV2996</b>	Halogen	NA	240v G9	G9 halogen globe
	<b>HV2997</b>	Halogen	NA	12v G4	G4 halogen globe
	<b>HV2998C</b>	Cool white, 6000K	180lm	240v LED 2.3w	Built-in SMD 2.3w LED
	<b>HV2998W</b>	Warm white, 3000K	160lm	240v LED 2.3w	Built-in SMD 2.3w LED
	<b>HV2999C</b>	Cool white, 6000K	180lm	12v LED 2.3w	Built-in SMD 2.3w LED
	<b>HV2999W</b>	Warm white, 3000K	160lm	12v LED 2.3w	Built-in SMD 2.3w LED

All low voltage products that specify LED or are supplied with a 12v LED globe must be used with a suitable LED driver, refer to pages (188 - 192)

Optional Havit compatible G9 LED globe HV9511W

Optional Havit compatible G4 LED globe HV9529-3.2w

