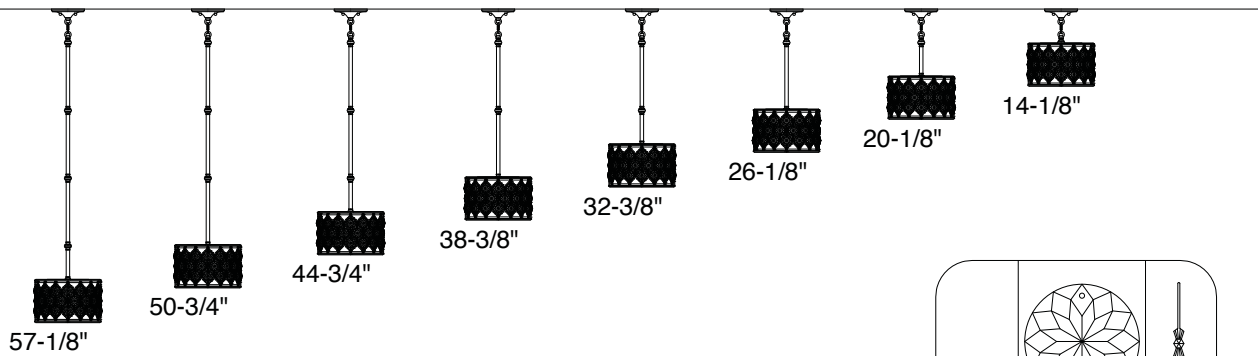


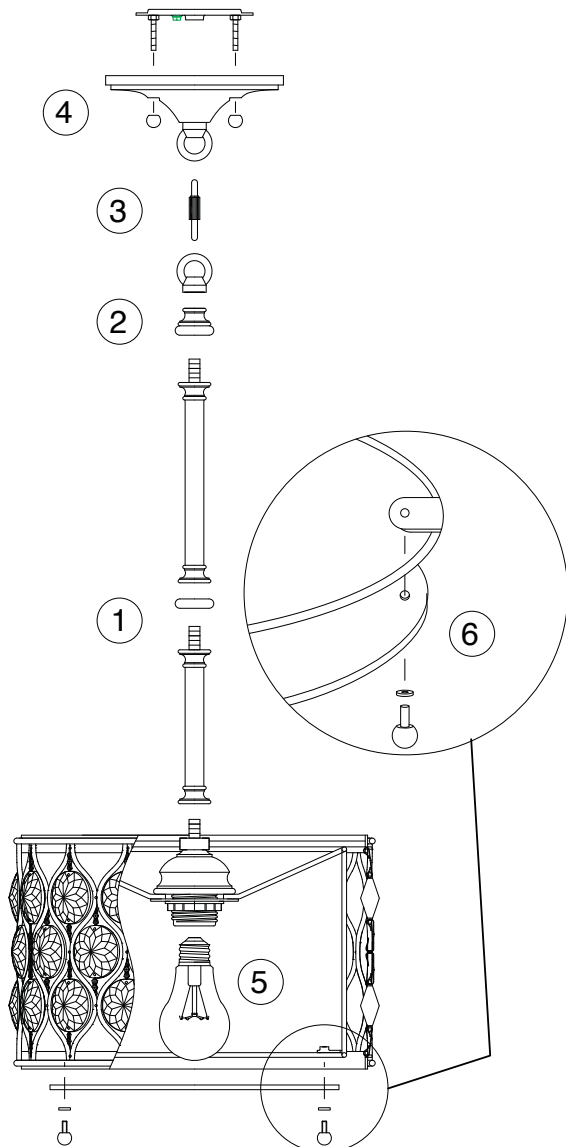
# Assembly Instructions For

# P1259

(E) 11/11



EXTRA	x 1	x 2



**IMPORTANT**  
**TURN OFF THE POWER AT THE MAIN FUSE OR**  
**CIRCUIT BREAKER BOX**  
**BEFORE STARTING INSTALLATION**

Carefully unpack and identify all parts before assembly. Bulbs not included.

1. Choose desired installation height from dimensions shown in above diagram. Thread fixture wire through each stem to be used. Please note correct position of stems from left diagram. Screw all stems together until secure.
2. Slip fixture loop through fixture wires, then install by screwing on top of stems.
3. This fixture is supplied with a threaded chain link. The link is opened and closed by twisting cylinder on chain link. The threaded chain link should be installed onto the fixture loop and the other should be installed onto the canopy loop.
4. Follow enclosed supplement installation instructions for electrical and fixture installation onto house outlet box. If you do not have an outlet box at desired location to attach the fixture then hire a qualified electrician to create one.
5. Install bulb (not included). See relamping label located near socket area for type and maximum allowed wattage.
6. Place glass plate onto frame and secure with washer and knob.