

EV-DEEP-75

deepset downlight

Technical data sheet



DESCRIPTION

The NEW DEEP range of LED down lights are designed for retro fit or new installations. Using a contemporary satin white deepset fixed frame this downlight complements most modern installations.

The DEEP incorporates the latest Sharp COB (Chip on board) which is then matched with a specifically designed heat sink to disburse heat from the LED. All this is then perfectly matched with a fully mains dimmable LED driver complete with a flex and plug for easy installation.

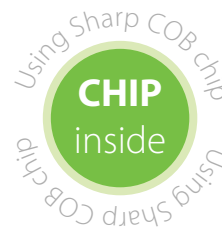


SPECIFICATION FEATURES

Wattage: 10W + driver
LED: 10W Sharp LED lamp
Colour/lm: warm white (3000K) 650lm, white (5000K) 780lm
Efficacy: warm white 57lm/W, white 69lm/W
Light quality (CRI): >83
Beam angle: 60°
IP rating: IP20
Lifetime: 50 000hrs
Input Voltage: 100-265V AC
Gimble: ±15°
Dimmable: Yes, on most dimmers (including C-Bus)
Adaptor ring: yes
Operating Temp: -20° to 65°
IES Files: Upon request
Replacement Warranty: 3 Years

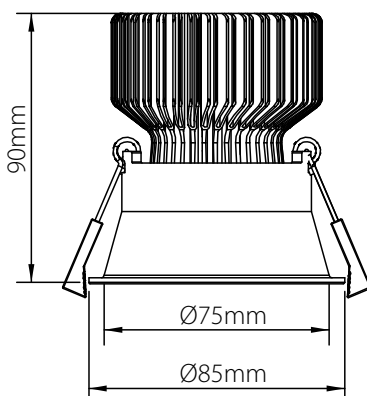
Product code: EV-DEEP-75-W-WW
Order code: 20550
Colour: Satin White - Warm White 3000K

Product code: EV-DEEP-75-W-W
Order code: 20551
Colour: Satin White - White 5000K



SAA121412EA

DIAGRAMS



Cutout: Ø75mm

