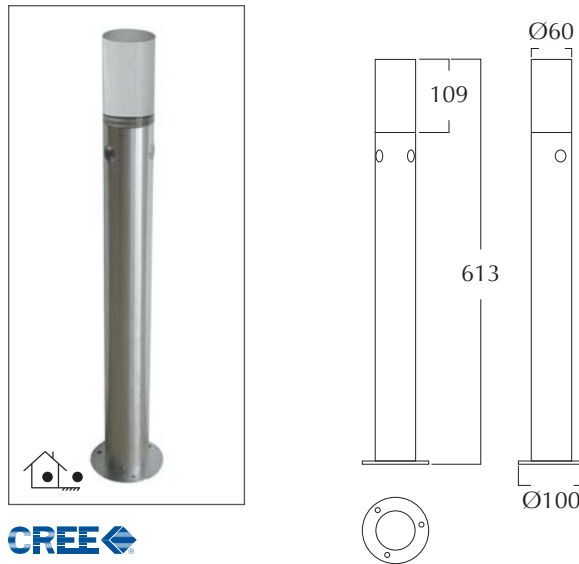


LED520-WW




Order Code: **20776**

Product Code: **LED520-WW**

Colour: **Warm White**  3200K

Description: The LED520 bollard round is a smart and contemporary luminaire for all landscape, pathways and courtyard lighting applications. Made from high quality 6063 grade aluminium with a natural anodised finish the LED520 bollard offers unsurpassed quality. The LED520 bollard also has the benefit of an anti glare feature due to its unique angled LED placement and a up lighting LED for more general lighting application makes this a perfect fitting.

Data: The LED520 bollard is made from 6063 machined aluminium with a natural anodised finish, flood effect, 3 x 60° beam angle, 4 x 1W Cree LED, Warm White colour 3200K LED, 280 lumens, Constant Current to Constant Voltage converter, 12V DC, 50,000 hrs, IP65 rated.

Size: (L) 613mm x (D) 60mm

Requires: Constant Voltage 12V DC LED driver located in the power supply section of the catalogue.

6063 machined
aluminium

Cree
LED

Natural anodised
finish

IP65
rated

3 x 60°
beam angle

Parallel
wiring

12V DC
input

50,000hrs
rated

3W
output

Warm White
3200K

280
Lumens

Domus Lighting

29-31 Richland Street Kingsgrove NSW 2208

Phone: (02) 9554 9600 | Fax: (02) 9554 9433 | Email: sales@domuslighting.com