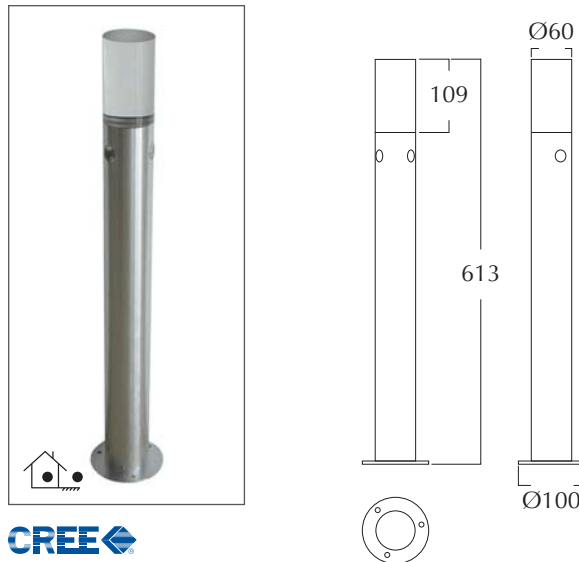


LED520-W



Order Code: **20775**
 Product Code: **LED520-W**
 Colour: **White** 6400K

Description: The LED520 bollard round is a smart and contemporary luminaire for all landscape, pathways and courtyard lighting applications. Made from high quality 6063 grade aluminium with a natural anodised finish the LED520 bollard offers unsurpassed quality. The LED520 bollard also has the benefit of an anti glare feature due to its unique angled LED placement and a up lighting LED for more general lighting application makes this a perfect fitting.

Data: The LED520 bollard is made from 6063 machined aluminium with a natural anodised finish, flood effect, 3 x 60° beam angle, 4 x 1W Cree LED, White colour 6400K LED, 400 lumens, Constant Current to Constant Voltage converter, 12V DC, 50,000 hrs, IP65 rated.

Size: (L) 613mm x (D) 60mm

Requires: Constant Voltage 12V DC LED driver located in the power supply section of the catalogue.

6063 machined aluminium	Cree LED	Natural anodised finish	IP65 rated	3 x 60° beam angle	Parallel wiring	12V DC input	50,000hrs rated	4W output	White 6400K	400 Lumens
-------------------------	----------	-------------------------	------------	--------------------	-----------------	--------------	-----------------	-----------	-------------	------------

Domus Lighting

29-31 Richland Street Kingsgrove NSW 2208

Phone: (02) 9554 9600 | Fax: (02) 9554 9433 | Email: sales@domuslighting.com