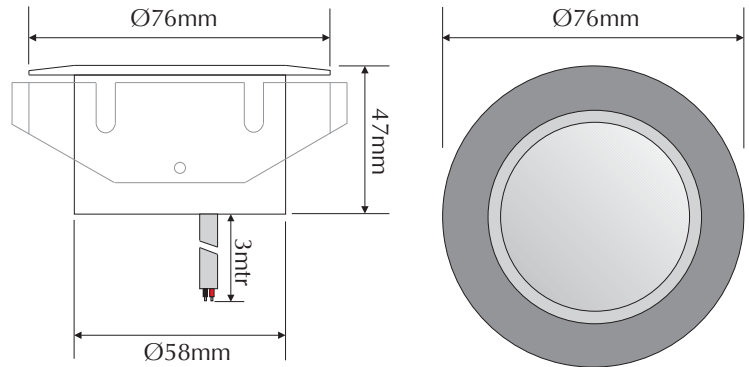


# EVTWILITE-R



Order Code: **21427**

Product Code: **EVTWILITE-R**

Colour: **Red** ■

**Description:** A smart, elegant and contemporary in-ground up-light. The TWILITE is designed for many applications including gardens, decks, hotel lobbies, night clubs etc. The TWILITE in-ground up-light packs a lot of punch for its small size and the secret lies in the high power Cree LEDs and opal glass diffuser. Made from 316 stainless steel and with a IP68 rating. The TWILITE is a must for any high end application.

**Data:** The TWILITE in-ground light is made from imported 316 stainless steel, tempered glass, bevel edge design, opal anti dazzle glass diffuser, 3 x 1W Cree LED, Red colour LED, IP68 rated, 12/24V DC, 3mtrs rubberised cable, rated at 50,000 hrs.

**Size:** Overall height: 47mm  
Overall diameter: 58mm  
Front face diameter: 76mm

**Cutout:** 65mm

**Requires:** Constant Voltage 12-24V DC LED driver located in the power supply section of the catalogue. Optional mounting tube if required.

- 316 stainless steel
- Red colour
- Opal glass diffuser
- 12/24V DC input
- 3W output
- Cree LED
- IP68 rated
- Parallel wiring
- 50,000 hrs rated

**Domus Lighting**

29-31 Richland Street Kingsgrove NSW 2208

Phone: (02) 9554 9600 | Fax: (02) 9554 9433 | Email: sales@domuslighting.com