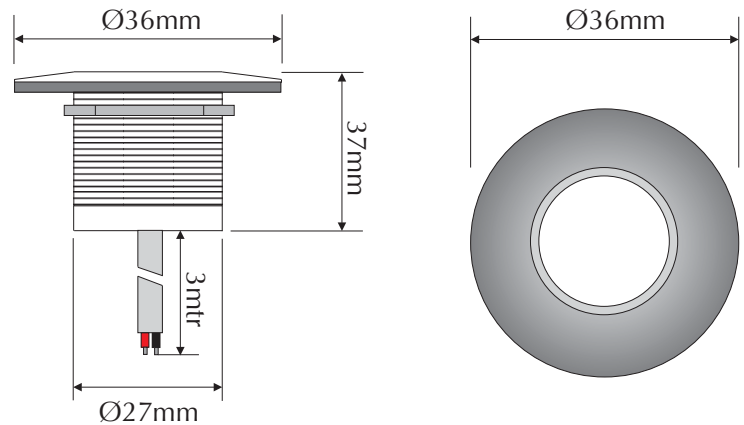


EVTHREAD-AB-WW



Order Code: **21388**

Product Code: **EVTHREAD-AB-WW**

Colour: **Warm White** 3200K

Description: A smart discrete and fully functional mini panel mount light. The THREAD LED panel light with its large threaded body is a tough and robust luminaire and is the perfect solution for all areas including path and safety lighting with its opal anti-dazzle lens. With a IP68 rating and the unique bevel edge design the THREAD is a perfect solution.

Data: The THREAD panel light is made from solid brass antiqued, unique threaded body, bevel edge design, Opal toughened glass diffuser, 1 x 1W Cree LED, Warm White 3200K colour LED, IP68 rated, 12/24V DC, 3mtrs rubberised cable, rated at 50,000 hrs.

Size: Overall height: 37mm
 Overall diameter: 27mm
 Front face diameter: 36mm

Cutout: 28mm

Requires: Constant Voltage 12-24V DC LED driver located in the power supply section of the catalogue.



Domus Lighting

29-31 Richland Street Kingsgrove NSW 2208

Phone: (02) 9554 9600 | Fax: (02) 9554 9433 | Email: sales@domuslighting.com