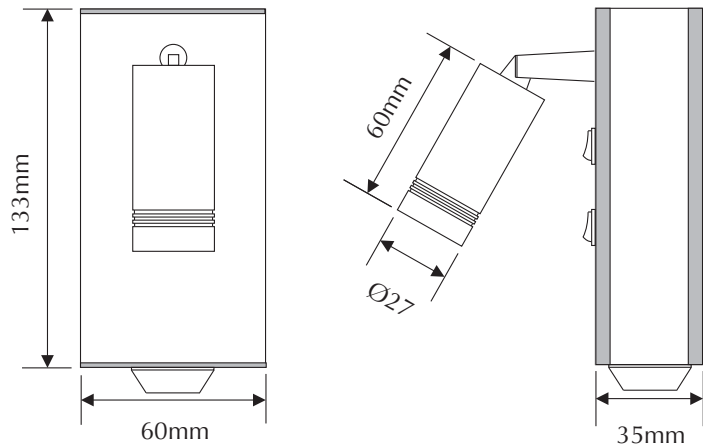


EVTENNISON-W



Order Code: **19350**

Product Code: **EVTENNISON-W**

Colour: **White** 6400K
Aluminium/Chrome brushed/polished

Description: The TENNISON interior wall light make a great alternative to the traditional bed head/wall light. With it's adjustable spot head and a separate down night light with separated switching, the TENNISON makes a perfect solution.

Data: The TENNISON interior wall light is made from 6063 grade Aluminium brushed finish with polished Chrome highlights, 1 x directional reading light, 1 x down night light, 2 x separated switching, 2 x 3W CREE LED, White 6400K, 2 x 30° beam angle, integral 700mA Constant Current power supply, 240V AC mains input, IP20 rated.

Size: Back plate: (L) 133mm x (W) 60mm x (D) 35mm
 Head: (Ø) 27mm x (L) 60mm

Additional: The above fitting is non dimmable.



Domus Lighting

29-31 Richland Street Kingsgrove NSW 2208

Phone: (02) 9554 9600 | Fax: (02) 9554 9433 | Email: sales@domuslighting.com