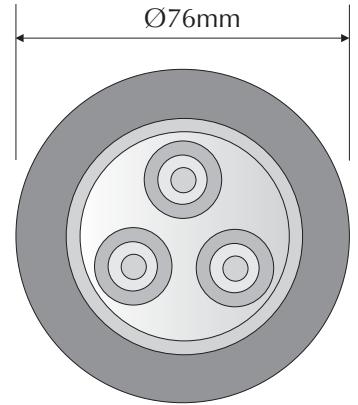
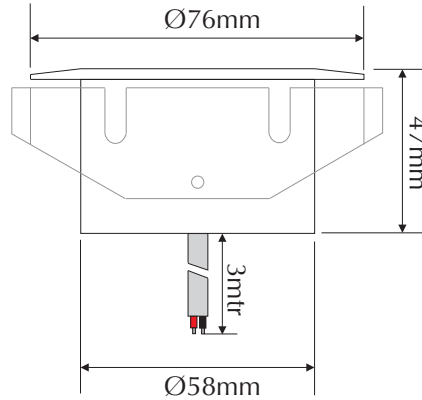


# EVSHINE-WW-S



Order Code: **21409**

Product Code: **EVSHINE-WW-S**

Colour: **Warm White**  3200K

**Description:** A smart, elegant and contemporary in-ground up-light. The SHINE is designed for many applications including gardens, decks, hotel lobbies, night clubs etc. The SHINE in-ground up-light packs a lot of punch for its small size and the secret lies in the high power Cree LEDs. Made from 316 stainless steel and with a IP68 rating. The shine is a must for any high end application.

**Data:** The SHINE in-ground light is made from imported 316 stainless steel, tempered glass, bevel edge design, 20° beam angle, 3 x 1W Cree LED, Warm White 3200K colour LED, IP68 rated, 12/24V DC, 3mtrs rubberised cable, rated at 50,000 hrs.

**Size:**

Overall height:	47mm
Overall diameter:	58mm
Front face diameter:	76mm

**Cutout:** 65mm

**Requires:** Constant Voltage 12-24V DC LED driver located in the power supply section of the catalogue. Optional mounting tube if required.

- |                     |                  |                |                 |           |          |            |                 |                  |
|---------------------|------------------|----------------|-----------------|-----------|----------|------------|-----------------|------------------|
| 316 stainless steel | Warm White 3200K | 20° beam angle | 12/24V DC input | 3W output | Cree LED | IP68 rated | Parallel wiring | 50,000 hrs rated |
|---------------------|------------------|----------------|-----------------|-----------|----------|------------|-----------------|------------------|

**Domus Lighting**

29-31 Richland Street Kingsgrove NSW 2208

Phone: (02) 9554 9600 | Fax: (02) 9554 9433 | Email: sales@domuslighting.com