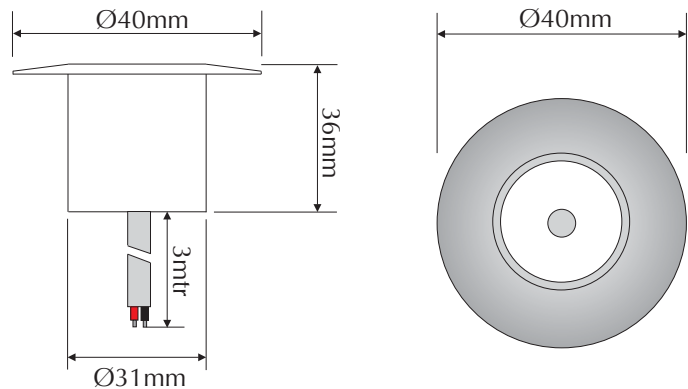


EVPOINT2-R



Order Code: **21368**

Product Code: **EVPOINT2-R**

Colour: **Red** ■

Description: A smart discrete and fully functional mini in-ground/path light/deck light. The POINT2 LED in-ground/path light/deck light is a tough and robust luminaire and is the perfect solution for spotting in small and tight areas. With a IP68 rating and the unique bevel edge design the Point2 is sure to please.

Data: The POINT2 in-ground/path light/deck light is made from imported 316 stainless steel, unique bevel edge design, clear toughened glass, 1x 1W Cree LED used, Red colour LED, 20° beam angle, IP68 rated, 12/24V DC, 3mtrs rubberised cable. Rated at 50,000 hrs.

Size:

Overall height:	36mm
Overall diameter:	31mm
Front face diameter:	40mm

Cutout: 32mm

Requires: Constant Voltage 12-24V DC LED driver located in the power supply section of the catalogue.

316 stainless steel

Red colour

20° beam angle

12/24V DC input

1W output

Cree LED

IP68 rated

Parallel wiring

50,000 hrs rated

Domus Lighting

29-31 Richland Street Kingsgrove NSW 2208

Phone: (02) 9554 9600 | Fax: (02) 9554 9433 | Email: sales@domuslighting.com