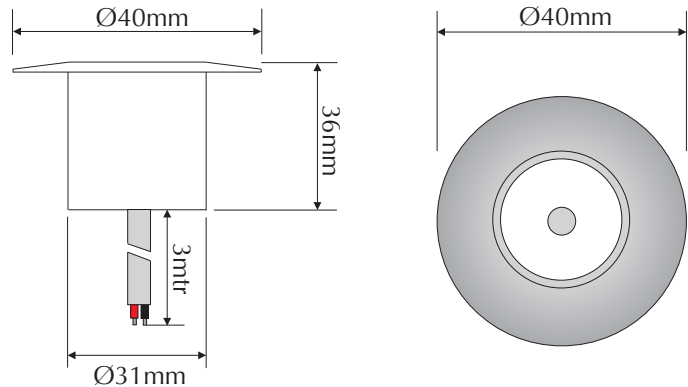


EVPOINT2-A



Order Code: **21371**

Product Code: **EVPOINT2-A**

Colour: **Amber** ■

Description: A smart discrete and fully functional mini in-ground/path light/deck light. The POINT2 LED in-ground/path light/deck light is a tough and robust luminaire and is the perfect solution for spotting in small and tight areas. With a IP68 rating and the unique bevel edge design the Point2 is sure to please.

Data: The POINT2 in-ground/path light/deck light is made from imported 316 stainless steel, unique bevel edge design, clear toughened glass, 1x 1W Cree LED used, Amber colour LED, 20° beam angle, IP68 rated, 12/24V DC, 3mtrs rubberised cable. Rated at 50,000 hrs.

Size: Overall height: 36mm
Overall diameter: 31mm
Front face diameter: 40mm

Cutout: 32mm

Requires: Constant Voltage 12-24V DC LED driver located in the power supply section of the catalogue.

316 stainless steel

Amber colour

20° beam angle

12/24V DC input

1W output

Cree LED

IP68 rated

Parallel wiring

50,000 hrs rated