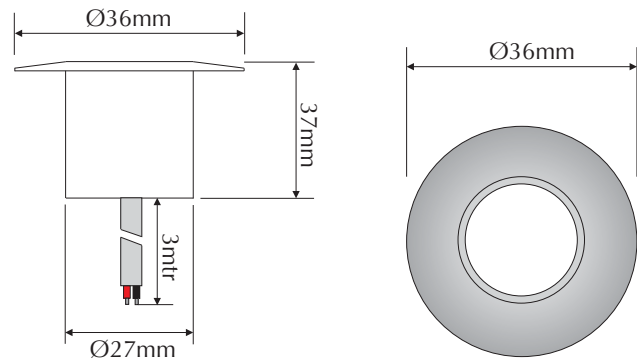


EVPOINT-AB-W



Order Code: **21359**

Product Code: **EVPOINT-AB-W**

Colour: **White** 6400K

Description: A smart discrete and fully functional mini in-ground/path light/deck light. The POINT LED in-ground/path light/deck light is a tough and robust luminaire and is the perfect solution for path and safety lighting with its opal anti-dazzle lens. With a IP68 rating and the unique bevel edge design the Point is sure to please.

Data: The POINT in-ground/path light/deck light is made from imported Solid brass antiqued, unique bevel edge design, Opal toughened glass, 1x 1W Cree LED used, White 6400K colour LED, IP68 rated, 12/24V DC, 3mtrs rubberised cable. Rated at 50,000 hrs.

Size: Overall height: 37mm
 Overall diameter: 27mm
 Front face diameter: 36mm

Cutout: 27mm

Requires: Constant Voltage 12-24V DC LED driver located in the power supply section of the catalogue.



Domus Lighting

29-31 Richland Street Kingsgrove NSW 2208

Phone: (02) 9554 9600 | Fax: (02) 9554 9433 | Email: sales@domuslighting.com