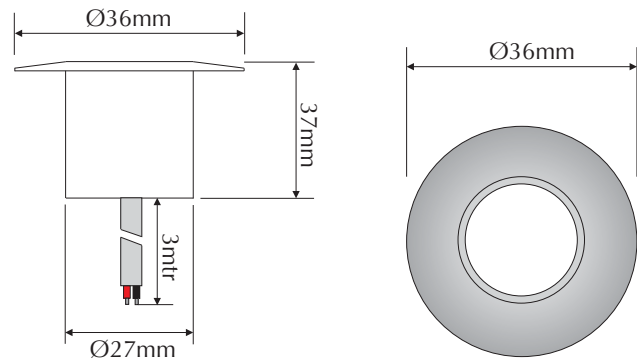


# EVPOINT-A



Order Code: **21357**

Product Code: **EVPOINT-A**

Colour: **Amber** ■

**Description:** A smart discrete and fully functional mini in-ground/path light/deck light. The POINT LED in-ground/path light/deck light is a tough and robust luminaire and is the perfect solution for path and safety lighting with its opal anti-dazzle lens. With a IP68 rating and the unique bevel edge design the Point is sure to please.

**Data:** The POINT in-ground/path light/deck light is made from imported 316 stainless steel, unique bevel edge design, Opal toughened glass, 1x 1W Cree LED used, Amber colour LED, IP68 rated, 12/24V DC, 3mtrs rubberised cable. Rated at 50,000 hrs.

**Size:**

Overall height:	37mm
Overall diameter:	27mm
Front face diameter:	36mm

**Cutout:** 27mm

**Requires:** Constant Voltage 12-24V DC LED driver located in the power supply section of the catalogue.

316 stainless steel

Amber colour

Diffused light

12/24V DC input

1W output

Cree LED

IP68 rated

Parallel wiring

50,000 hrs rated