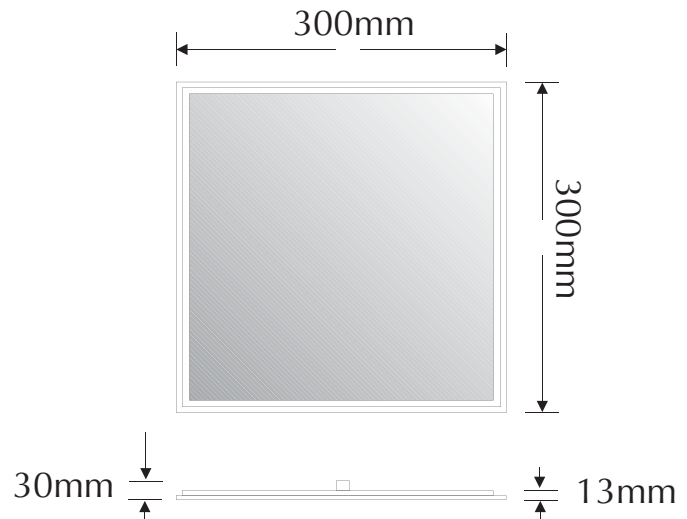


EVPL303WW



Order Code: **19305**

Product Code: **EVPL303WW**

Colour: **Warm White**  3200K

Description: Anti glare LED side light panel, LCD TFT backlight technology, 3D V-Cut lighting guide panel, Anodised aluminium frame, satin opal diffuser.

Data: High efficiency SMD LED, satin opal diffuser, 700lm output, approx 210 lux @ 1mtr, colour rendering index greater than 82, weight @ 1.5kgs, average life greater than 50,000 hrs, 18W power consumption, supplied with SMPS 12V DC power supply.

Specification: Panel light can be recessed into standard grid ceiling or via optional plaster trim kit for plaster board ceilings or via optional wire suspended or surface mounted kit.

Frame Size: (L) 300mm x (W) 300mm x (H) 13mm

Panel Size: (L) 260mm x (W) 260mm

Warm White
3200K

Anti Glare
Opal diffuser

Approx
210 lux

700
Lumens

18W total
power output

Domus Lighting

29-31 Richland Street Kingsgrove NSW 2208

Phone: (02) 9554 9600 | Fax: (02) 9554 9433 | Email: sales@domuslighting.com