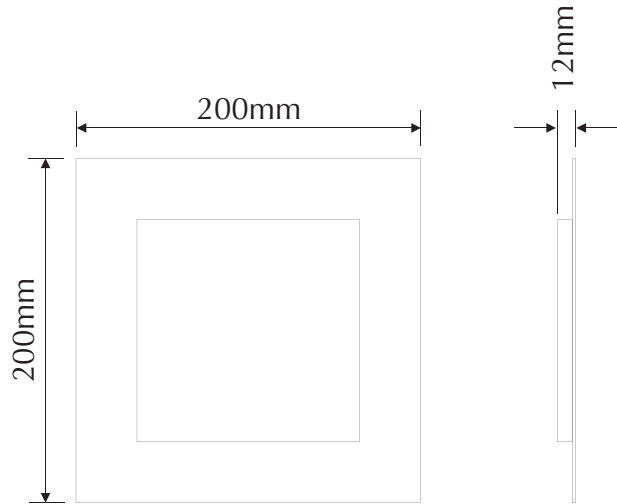
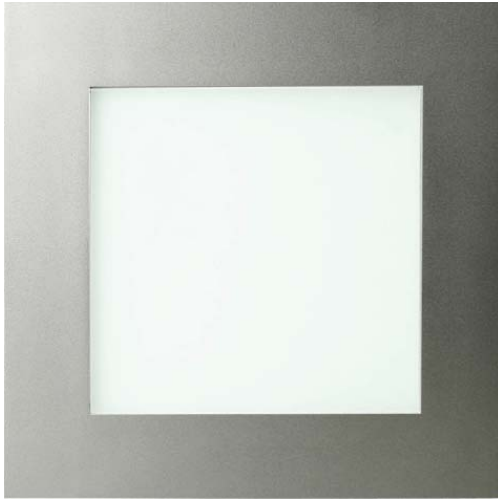


EVPL200W



Order Code: **19302**

Product Code: **EVPL200W**

Colour: **White** 6500K

Description: Anti glare LED side light panel, LCD TFT backlight technology, 3D V-Cut lighting guide panel, Anodised aluminium frame, satin opal diffuser.

Data: High efficiency SMD LED, satin opal diffuser, 400lm output, approx 120 lux @ 1mtr, colour rendering index greater than 82, weight @ 0.5kgs, average life greater than 50,000 hrs, 9W power consumption, supplied with SMPS 12V DC power supply.

Specification: Panel light to be recessed complete with spring clips.

Frame Size: (L) 200mm x (W) 200mm x (H) 12mm

Panel Size: (L) 160mm x (W) 160mm

Cutout Size: (L) 175mm x (H) 160mm

White
6500K

Anti Glare
Opal diffuser

Approx
120 lux

400
Lumens

9W total
power output

Domus Lighting

29-31 Richland Street Kingsgrove NSW 2208

Phone: (02) 9554 9600 | Fax: (02) 9554 9433 | Email: sales@domuslighting.com