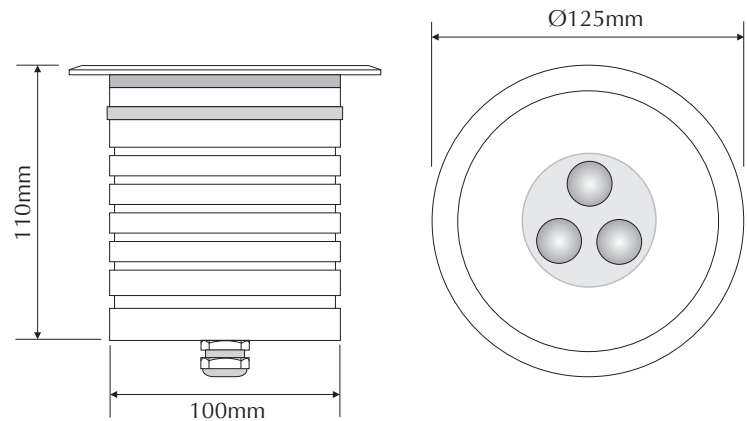


EVMODULA-R-WW



Order Code: **19420**

Product Code: **EVMODULA-R-WW**

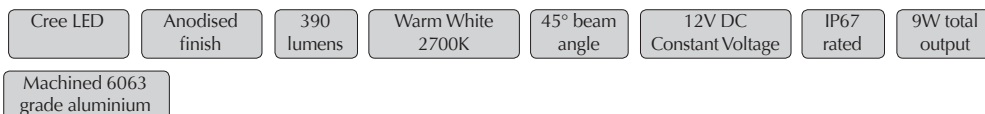
Colour: **Warm White** 2700K

Description: The MODULA inground luminaire has been architecturally designed for many areas where reliability is crucial and cosmetics is a must. With its 6063 grade machined aluminium anodised face and body, to the clear glass lens the MODULAS performance is unsurpassed.

Data: The MODULA recessed inground uplighter is made from the highest quality 6063 grade aluminium, natural anodised round trim cover, black anodised body, 316 stainless fixings, Warm White 2700K, 3 x 3W Cree LED, 12V DC, 390 lumens, clear lens, 45° beam angle, Constant Current to Constant Voltage converter, polycarbonate housing. IP67 rated.

Size: Front face: 125mm
Overall height: 110mm

Options: This fitting requires a Constant Voltage DC driver located in the power supply section of this catalogue. The MODULA may be dimmed via 1-10V DC with the correct controller located in the Controller section of this catalogue.



Domus Lighting

29-31 Richland Street Kingsgrove NSW 2208

Phone: (02) 9554 9600 | Fax: (02) 9554 9433 | Email: sales@domuslighting.com