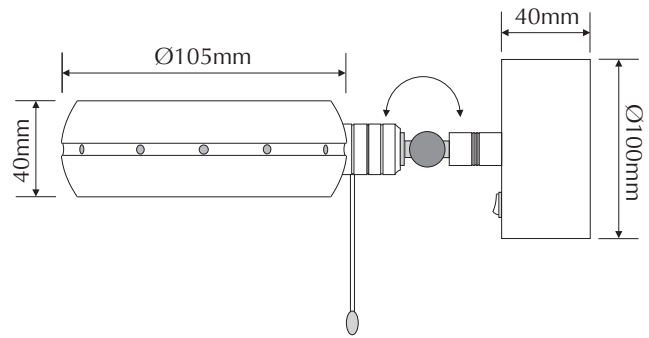


# EVMIRANDA-WW



Order Code: **19353**

Product Code: **EVMIRANDA-WW**

Colour: **Warm White**  2700K  
**Silver**

Description: The MIRANDA interior wall light make a great alternative to the traditional bed head/wall light. A cluster of high power LEDs makes this a perfect luminaire as a reading lamp or adjustable wall light.

Data: The MIRANDA interior wall light is made from a combination of Aluminium and steel, silver finish, 1 x multi directional head, reading/wall light, 3 x 3W CREE LED, Warm White 2700K, 1 x 120° beam angle, integrated switching, Integral 700mA Constant Current power supply, 240V AC mains input, IP20 rated.

Size: Back plate: (Ø) 100mm x (D) 40mm  
 Head: (Ø) 105mm x (D) 40mm

Additional: The above fitting is non dimmable.



**Domus Lighting**

29-31 Richland Street Kingsgrove NSW 2208

Phone: (02) 9554 9600 | Fax: (02) 9554 9433 | Email: sales@domuslighting.com