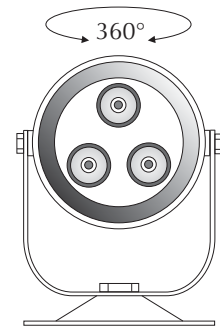
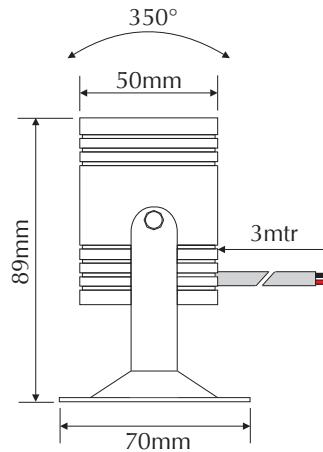


EVFLUID-A-F



Order Code: **21332**

Product Code: **EVFLUID-A-F**

Colour: **Amber** 

Description: A smart and contemporary pond/pool luminaire for under water use. Made from imported 316 stainless steel. This will be a fantastic addition for any contemporary water feature or pond application.

Data: The FLUID underwater pond/pool light is made from imported 316 stainless steel, unique fin design for enhanced cooling, 3x 1W Cree LED used, 60° beam angle, Amber colour LED, IP68 rated, 12/24V DC, 3 metres rubberised cable, 50,000hrs rated.

Size: Overall height including base plate: 89mm
Overall diameter: 50mm
Base plate: 70mm x 70mm

Requires: Constant Voltage 12-24V DC LED driver located in the power supply section of the catalogue.



Domus Lighting

29-31 Richland Street Kingsgrove NSW 2208

Phone: (02) 9554 9600 | Fax: (02) 9554 9433 | Email: sales@domuslighting.com