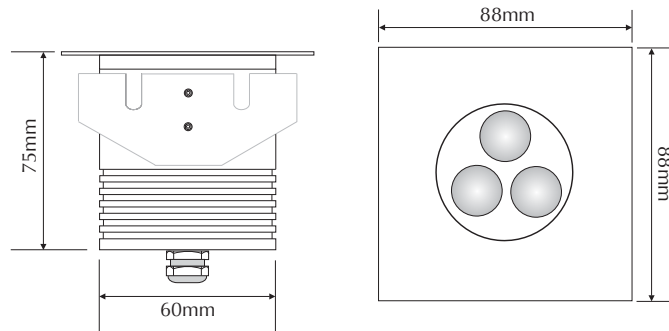


# EVDEKA-S-WW



Order Code: **19426**

Product Code: **EVDEKA-S-WW**

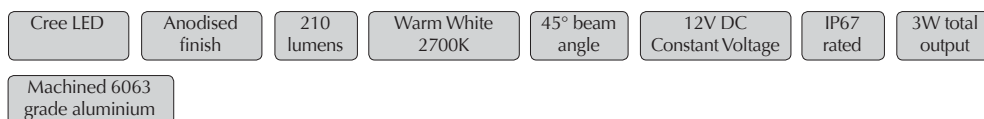
Colour: **Warm White**  2700K

Description: The DEKA in-ground luminaire provides a practical solution for in-ground lighting. With its 6063 machined aluminium anodised trim plate and body the DEKA will look appealing in any application from landscape, buildings, courtyards to sculptures.

Data: The DEKA recessed in-ground uplighter is made from the highest quality 6063 grade aluminium, natural anodised square trim cover, black anodised body, 316 stainless fixings, Warm White 2700K, 3 x 1W Cree LED, 12V DC, 210 lumens, clear glass lens, 45° beam angle, Constant Current to Constant Voltage converter, 2000kgs drive over, polycarbonate housing. IP67 rated.

Size: Front face: 88mm  
Overall height: 75mm

Options: This fitting requires a Constant Voltage DC driver located in the power supply section of this catalogue. The DEKA may be dimmed via 1-10V DC with the correct controller located in the Controller section of this catalogue.



**Domus Lighting**

29-31 Richland Street Kingsgrove NSW 2208

Phone: (02) 9554 9600 | Fax: (02) 9554 9433 | Email: sales@domuslighting.com