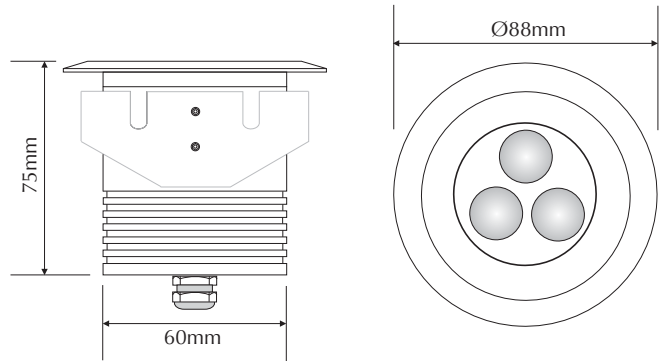


EVDEKA-R-W



Order Code: **19425**

Product Code: **EVDEKA-R-W**

Colour: **White** 6500K

Description: The DEKA inground luminaire provides a practical solution for inground lighting. With its 6063 machined aluminium anodised trim plate and body the DEKA will look appealing in any application from landscape, buildings, courtyards to sculptures.

Data: The DEKA recessed inground uplighter is made from the highest quality 6063 grade aluminium, natural anodised round trim cover, black anodised body, 316 stainless fixings, White 6500K, 3 x 1W Cree LED, 12V DC, 300 lumens, clear glass lens, 45° beam angle, Constant Current to Constant Voltage converter, 2000kgs drive over, polycarbonate housing. IP67 rated.

Size: Front face: 88mm
Overall height: 75mm

Options: This fitting requires a Constant Voltage DC driver located in the power supply section of this catalogue. The DEKA may be dimmed via 1-10V DC with the correct controller located in the Controller section of this catalogue.

Cree LED	Anodised finish	300 lumens	White 6500K	45° beam angle	12V DC Constant Voltage	IP67 rated	3W total output
Machined 6063 grade aluminium							

Domus Lighting

29-31 Richland Street Kingsgrove NSW 2208

Phone: (02) 9554 9600 | Fax: (02) 9554 9433 | Email: sales@domuslighting.com