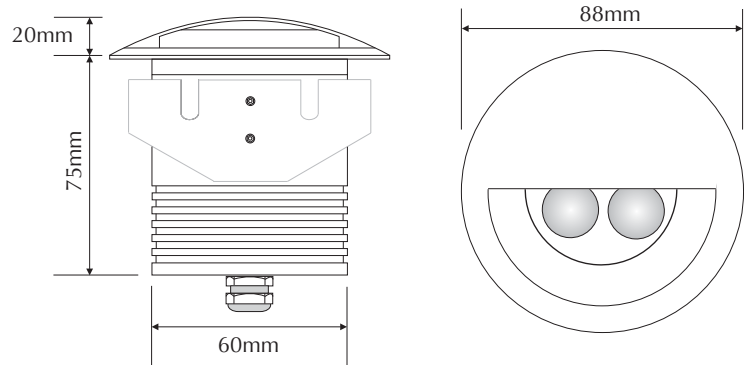


EVDEKA-EYE-WW



Order Code: **19436**

Product Code: **EVDEKA-EYE-WW**

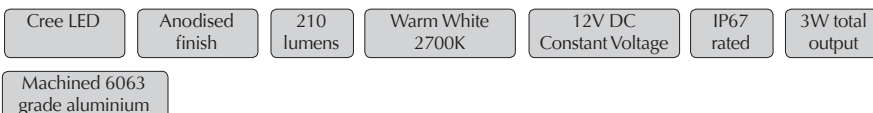
Colour: **Warm White** 2700K

Description: The DEKA inground luminaire provides a practical solution for wall lighting. With its 6063 machined aluminium anodised trim plate and body the DEKA will look appealing in any application from landscape, buildings to courtyards.

Data: The DEKA recessed inground uplighter is made from the highest quality 6063 grade aluminium, natural anodised eyelid way trim cover, black anodised body, 316 stainless fixings, Warm White 2700K, 3 x 1W Cree LED, 12V DC, 210 lumens, clear glass lens, Constant Current to Constant Voltage converter, 2000kgs drive over, polycarbonate housing. IP67 rated.

Size: Front face: 88mm
Overall height: 95mm

Options: This fitting requires a Constant Voltage DC driver located in the power supply section of this catalogue. The DEKA may be dimmed via 1-10V DC with the correct controller located in the Controller section of this catalogue.



Domus Lighting

29-31 Richland Street Kingsgrove NSW 2208

Phone: (02) 9554 9600 | Fax: (02) 9554 9433 | Email: sales@domuslighting.com