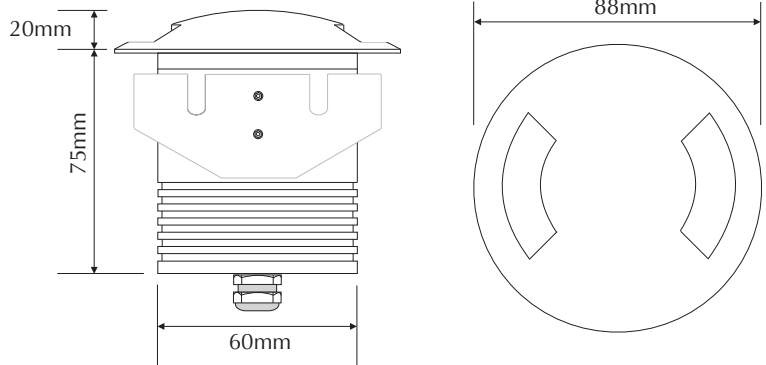
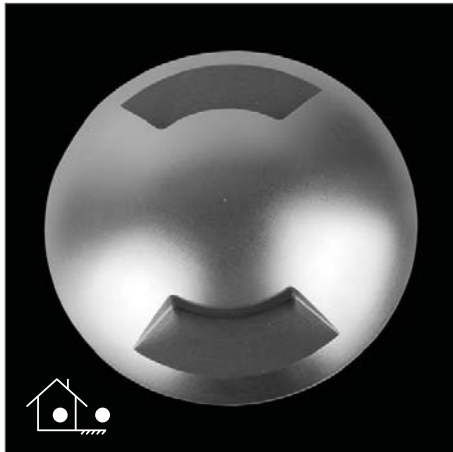


EVDEKA-2W-WW



Order Code: **19430**

Product Code: **EVDEKA-2W-WW**

Colour: **Warm White** 2700K

Description: The DEKA inground luminaire provides a practical solution for inground lighting. With its 6063 machined aluminium anodised trim plate and body the DEKA will look appealing in any application from landscape, buildings, courtyards to sculptures.

Data: The DEKA recessed inground uplighter is made from the highest quality 6063 grade aluminium, natural anodised two way trim cover, black anodised body, 316 stainless fixings, Warm White 2700K, 3 x 1W Cree LED, 12V DC, 210 lumens, clear glass lens, Constant Current to Constant Voltage converter, 2000kgs drive over, polycarbonate housing. IP67 rated.

Size: Front face: 88mm
Overall height: 95mm

Options: This fitting requires a Constant Voltage DC driver located in the power supply section of this catalogue. The DEKA may be dimmed via 1-10V DC with the correct controller located in the Controller section of this catalogue.

Cree LED	Anodised finish	210 lumens	Warm White 2700K	12V DC Constant Voltage	IP67 rated	3W total output
Machined 6063 grade aluminium						

Domus Lighting

29-31 Richland Street Kingsgrove NSW 2208

Phone: (02) 9554 9600 | Fax: (02) 9554 9433 | Email: sales@domuslighting.com