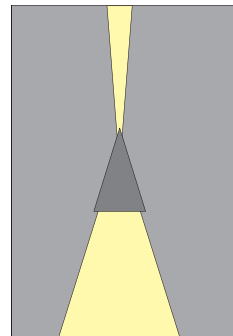
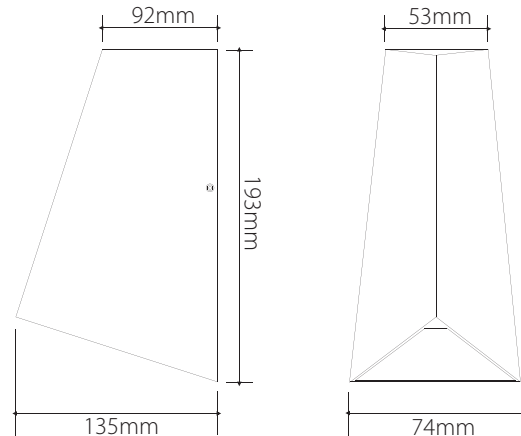


# EV-XWAVE-WW



**Order Code:** 19462

**Product Code:** EV-XWAVE-WW

**Description:** A smart and very contemporary wall mounted light. With its clean lines and minimal look makes this a must for any interior or exterior application.

**Data:** Die cast aluminium body, special metalware treatment (Chromate), custom silver colour polyester powder coated finish, 2 x 4W Citizen LED lamps, warm white colour 3000K, 250lm output, CRI 85%, 20° up 20° down beam angle, built-in LED driver (BID). IP54 rating, 240VAC input voltage.

**Fitting Size:** (WT) 53mm x (L) 193mm x (WB) 74mm (P) 135mm

**Additional:** The above wall light is non dimmable.

**Domus Lighting**

29-31 Richland Street Kingsgrove NSW 2208

Phone: (02) 9554 9600 | Fax: (02) 9554 9433 | Email: sales@domuslighting.com