

EV-DLK13-W

The NEW DLK-13 range of LED down lights are designed for retro fit or new installations. This is the perfect one to one replacement for traditional halogen lamps.

Using a contemporary satin white adjustable frame with a special adaptor ring makes this down light fit into cutouts as small as Ø80mm through to Ø90mm. The DLK incorporates the latest Sharp COB (Chip on board) which is then matched with a specifically designed heat sink to disperse heat from the LED.

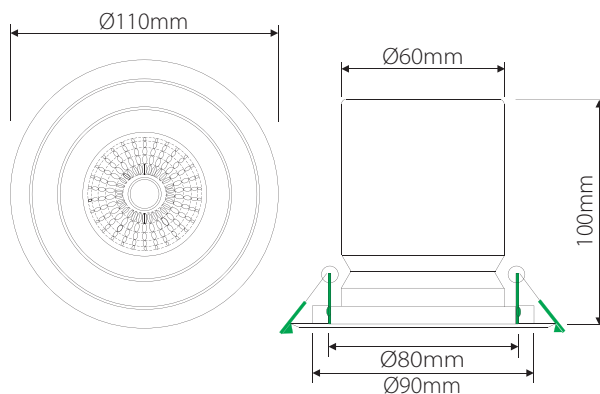
All this is then matched perfectly with a fully mains dimmable LED driver complete with a flex and plug for easy installation.



3 Year Replacement Warranty

Product Specifications:

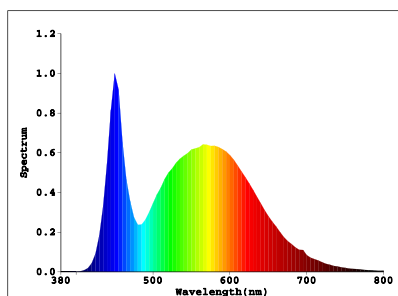
Wattage:	13W + Driver
LED:	13W DLK LED lamp
Colour / lm:	White (5000K) 1095lm
Efficacy:	White 73lm/W
Light quality (CRI):	>83
Beam angle:	60°
IP rating:	IP20
Lifetime:	50 000hrs
Input Voltage:	100-265V AC
Gimble:	±15°
Dimmable:	Yes, on most dimmers (including C-Bus)
Adaptor ring:	yes (to suit 90mm hole)
Operating Temp:	-20° to 65°
IES Files:	Upon request



Product Code: **EV-DLK13-W** | Order Code: **20501**



White 5000K



Domus Lighting

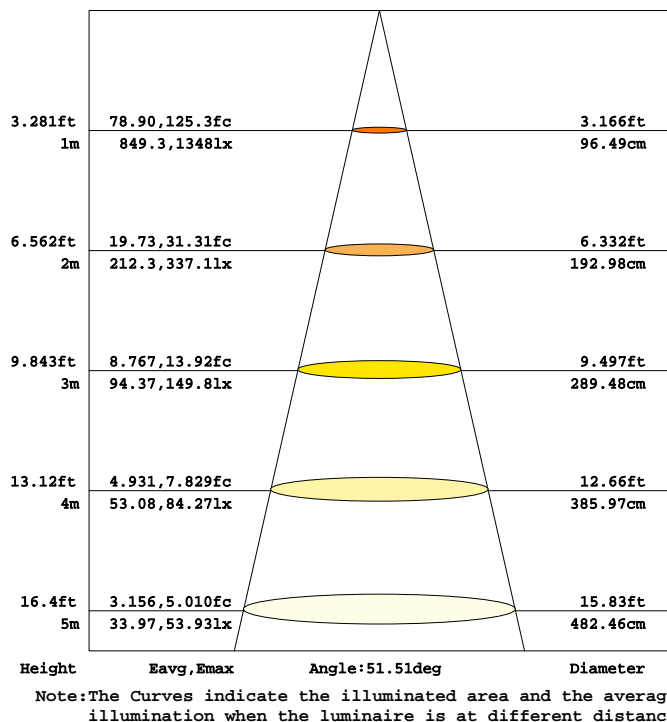
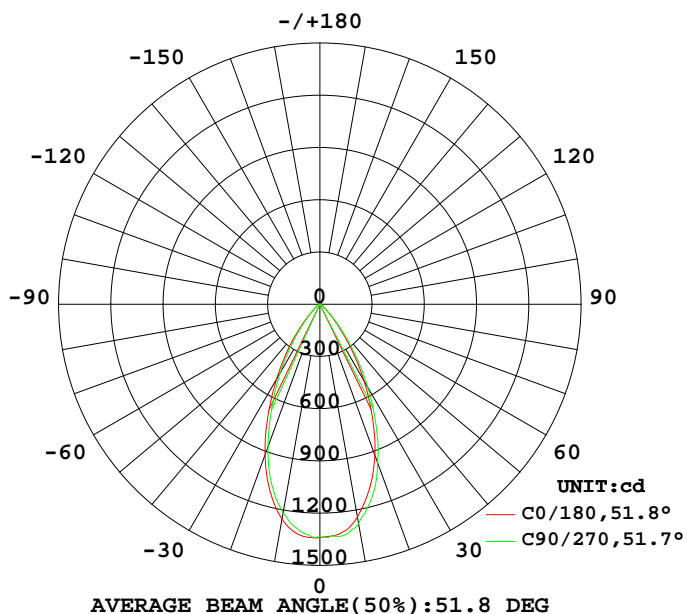
29-31 Richland Street Kingsgrove NSW 2208

Phone: (02) 9554 9600 | Fax: (02) 9554 9433 | Email: sales@domuslighting.com

Quality ISO 9001
SAI GLOBAL

EV-DLK13-W

Luminous Intensity Distribution Diagram



DIALux Simulation

Dimensions: Length 6M x Width 4M x Height 2.4M

