

EV-DCS13

Domus lighting is pleased to announce the soon arrival of its NEW D'ECO range of LED down lights in 2013. The D'ECO LED down Light will be added to our ever increasing EVERGREEN range of LED lighting products. This now extends the range of LED down lights and complements the newly released DLK range that remains at the top of the chain with regards to style, performance and pricing.

The D'ECO series has been introduced as a cost effective solution to energy efficient down lights and offers the customer a range of features not offered by others with similar products.

Features include:

- 13W total power consumption which uses much less electricity over the traditional 50W halogen lamps
- Step back opal diffuser lens which not only offers a more diffused and wide light but gives you that anti-glare factor due to the step back feature
- Internal reflector system which controls the light evenly across the lens.
- Samsung LED, a world leader in SMD LED technology
- High quality satin white trim or machined aluminium finish
- Universal 90mm hole cut out size
- High lumen output with over 849lm in warm white and 889 in white colour
- Mains dimmable LED driver that suits most currently available Australian dimmers including Clipsal C-Bus system and the newly released One-Touch electronic dimmer
- Fitted with a flex and plug for ease of installations and/or removal
- Ultra slim mounting depth to maximize installation requirements



Product code: EV-DCS13-WHT-WW

Order code: 20524

Colour: Satin white-warm white 3000K  

Product code: EV-DCS13-ALU-WW

Order code: 20526

Colour: Aluminium-warm white 3000K  

Product code: EV-DCS13-WHT-W

Order code: 20525

Colour: Satin white-White 5000K  

Product code: EV-DCS13-ALU-W

Order code: 20527

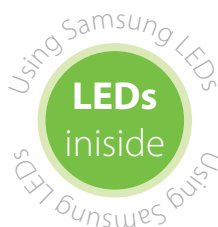
Colour: Aluminium-White 5000K  



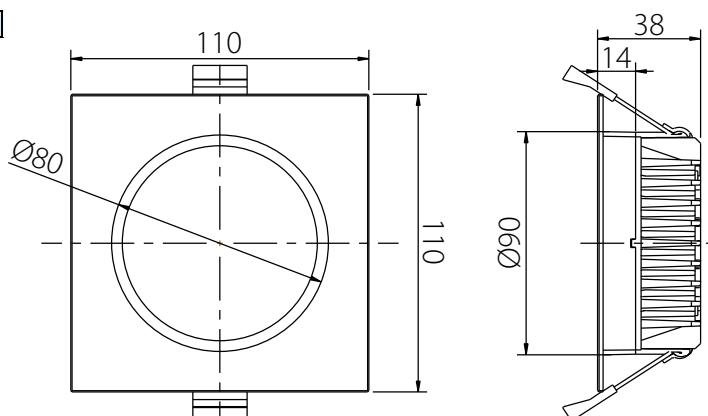
White Finish



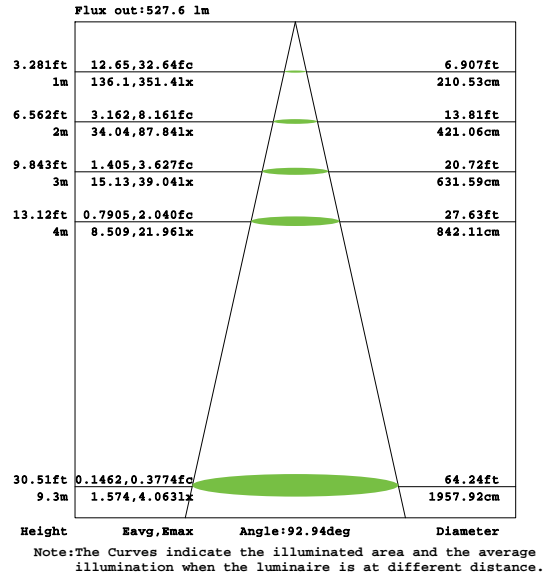
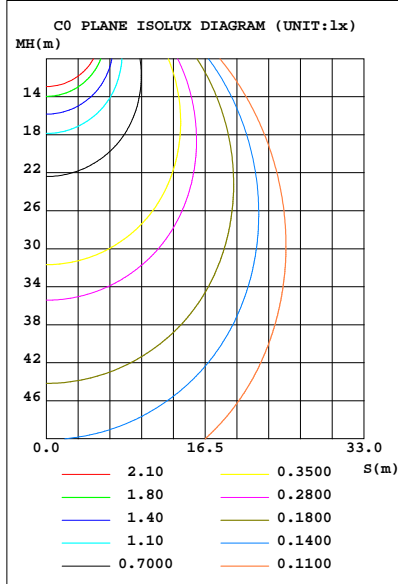
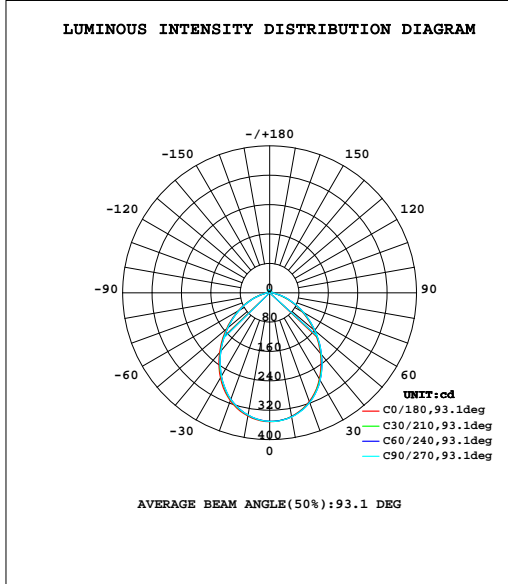
Aluminium Finish



SAA121412EA



Warm White LED (3000K)



White LED (5000K)

