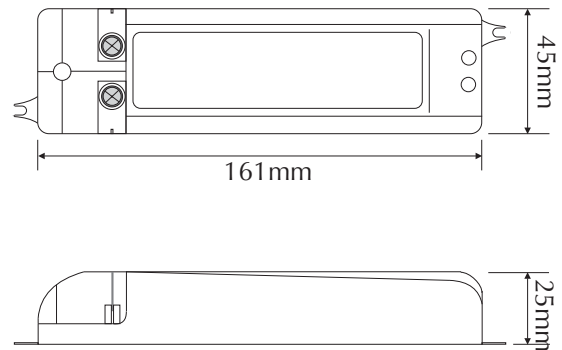


DM20/350



Order Code: **20399**

Product Code: **DM20/350**

Description: Constant Current LED driver for use on LED Power Puk lamps, LED wall washers, inground uplighters and much more.

Data: Insulation: Class II, no earth required, Supply Voltage: 100V-260V AC 50/60Hz (universal input), Supply Current: 0.35A max, Output Voltage: 3V-70V DC SELV (Safety Extra Low Voltage), Min-Max loading: 3-20W 350mA, Start delay: approx 0.5 seconds, Storage temperature: -20°C - +50°C, Ingress protection: IP20, extra large 240V input terminals.

Features: Secondary side short circuit protection, thermal overload protection, thermal fuse to ensure safe failure if in areas of excessive temperatures, radio interference suppression in accordance with EN55015, safety and performance in accordance with EN61046, EMC immunity in accordance with EN61547, three year replacement guarantee.

Size: (L) 161mm x (W) 45mm x (H) 25mm

3V to 70V
DC

Constant
Current

350mA
Current

IP20

3-20W
max

3 year replacement
warranty

Approval
N22159

Domus Lighting

29-31 Richland Street Kingsgrove NSW 2208

Phone: (02) 9554 9600 | Fax: (02) 9554 9433 | Email: sales@domuslighting.com