

# Quad-Line Mini LED Profile

This LED profile is used for under cupboard applications where the light is mounted on a 45° angle to throw the light onto the working space. It is also a good profile for perimeter lighting in rooms where a minimalist look is required. Natural anodised aluminium finish, 6063 grade aluminium, hidden screw mounting, complete with a square PMMA matt opal diffuser. Maximum continuous length = 2.5mtrs.

Order code: 22028  
Product code: EV-EXT210  
Size: (W) 16mm x (H) 16mm (L) 2500mm maximum length (sold per mtr)

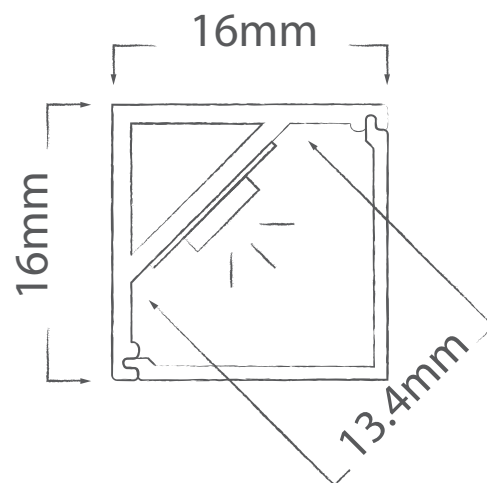
Order code: 22029  
Product code: EV-EXT210-CAP  
Description: Squared end cap to suit EV-EXT210 LED profile.  
Colour: Silver

Special: Special custom powder coated colours available upon request.



## Compatible LED strips:

Flexi Strip 60		Flexi Strip 90		Flexi Strip 120		Flexi Strip RGB			
	W		W		W				30
	NW		NW		NW				60
	WW		WW		WW				Digital
	R		B						AWB
	G								
	B								
	A								



## Installation Process:



Domus Lighting

29-31 Richland Street Kingsgrove NSW 2208

Phone: (02) 9554 9600 | Fax: (02) 9554 9433 | Email: sales@domuslighting.com