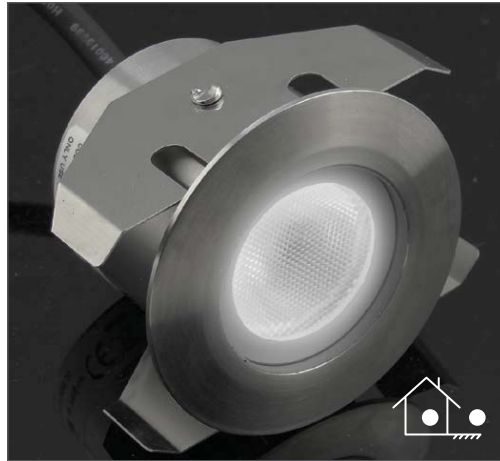
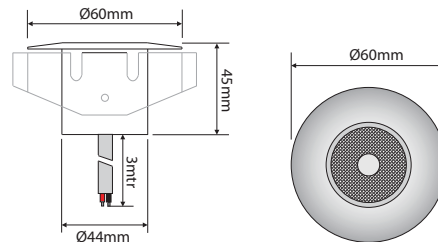


# EVLASER-W-F



Order Code: 21342  
 Product Code: **EVLASER-W-F**  
 Colour: White  6400K



**Description:** A smart discrete and fully functional mini in-ground/path light. The LASER LED in-ground/path light is a tough and robust luminaire and is designed for all discrete lighting effects. With a IP68 rating and the unique Bevel edge design the Laser is sure to please.

**Data:** The LASER in-ground/path light is made from imported 316 stainless steel, unique bevel edge design, toughened glass, 1x 1W Cree LED used, 45° beam angle, White 6400K colour LED, IP68 rated, 12/24V DC, 3mtrs rubberised cable. Rated at 50,000 hrs.

**Size:**

Overall height:	45mm
Overall diameter:	44mm
Front face diameter:	60mm

**Cutout:** 50mm

**Requires:** Constant Voltage 12-24V DC LED driver located in the power supply section of the catalogue. Optional mounting tube if required.

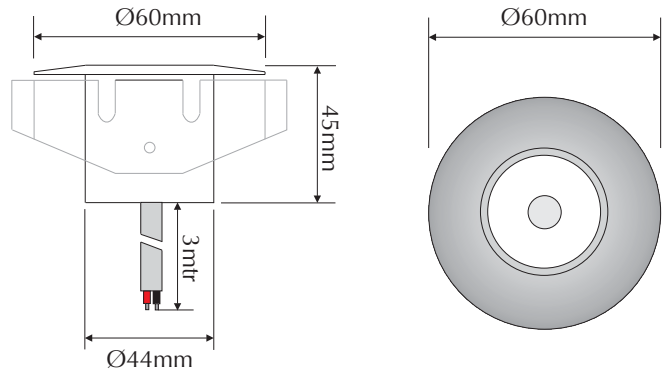
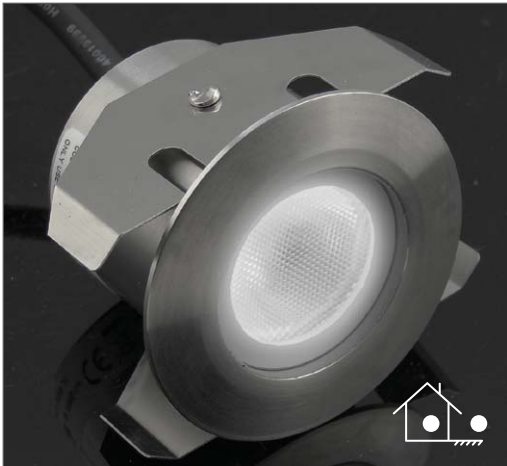


**Domus Lighting**

29-31 Richland Street Kingsgrove NSW 2208

Phone: (02) 9554 9600 | Fax: (02) 9554 9433 | Email: sales@domuslighting.com

# EVLASER-W-S



Order Code: **21335**

Product Code: **EVLASER-W-S**

Colour: **White**  6400K

Description: A smart discrete and fully functional mini in-ground/path light. The LASER LED in-ground/path light is a tough and robust luminaire and is designed for all discrete lighting effects. With a IP68 rating and the unique Bevel edge design the Laser is sure to please.

Data: The LASER in-ground/path light is made from imported 316 stainless steel, unique bevel edge design, toughened glass, 1x 1W Cree LED used, 12° beam angle, White 6400K colour LED, IP68 rated, 12/24V DC, 3mtrs rubberised cable. Rated at 50,000 hrs.

Size: Overall height: 45mm  
Overall diameter: 44mm  
Front face diameter: 60mm

Cutout: 50mm

Requires: Constant Voltage 12-24V DC LED driver located in the power supply section of the catalogue. Optional mounting tube if required.

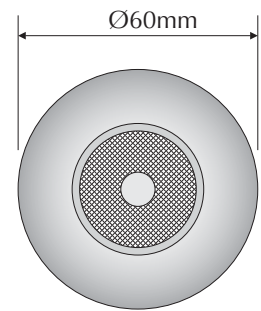
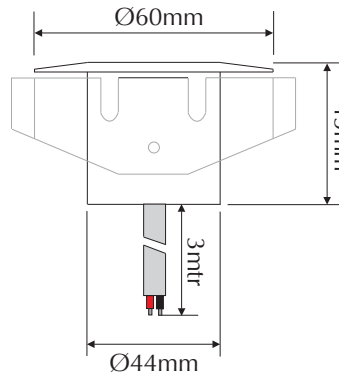


**Domus Lighting**

29-31 Richland Street Kingsgrove NSW 2208

Phone: (02) 9554 9600 | Fax: (02) 9554 9433 | Email: sales@domuslighting.com

# EVLASER-WW-F



Order Code: **21343**

Product Code: **EVLASER-WW-F**

Colour: **Warm White**  3200K

**Description:** A smart discrete and fully functional mini in-ground/path light. The LASER LED in-ground/path light is a tough and robust luminaire and is designed for all discrete lighting effects. With a IP68 rating and the unique Bevel edge design the Laser is sure to please.

**Data:** The LASER in-ground/path light is made from imported 316 stainless steel, unique bevel edge design, toughened glass, 1x 1W Cree LED used, 45° beam angle, Warm White 3200K colour LED, IP68 rated, 12/24V DC, 3mtrs rubberised cable. Rated at 50,000 hrs.

**Size:**

Overall height:	45mm
Overall diameter:	44mm
Front face diameter:	60mm

**Cutout:** 50mm

**Requires:** Constant Voltage 12-24V DC LED driver located in the power supply section of the catalogue. Optional mounting tube if required.

316 stainless steel

Warm White 3200K

45° beam angle

12/24V DC input

1W output

Cree LED

IP68 rated

Parallel wiring

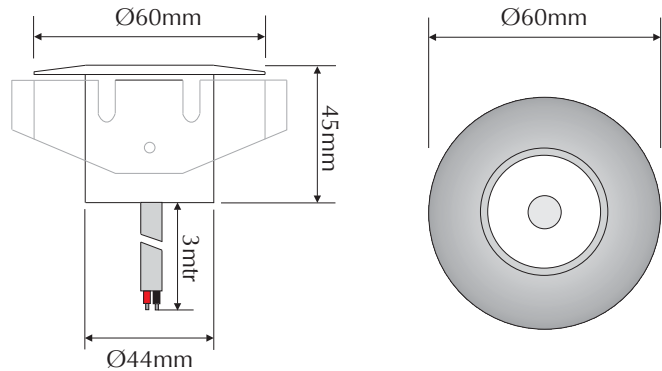
50,000 hrs rated

**Domus Lighting**

29-31 Richland Street Kingsgrove NSW 2208

Phone: (02) 9554 9600 | Fax: (02) 9554 9433 | Email: sales@domuslighting.com

# EVLASER-WW-S



Order Code: **21336**

Product Code: **EVLASER-WW-S**

Colour: **Warm White**  3200K

Description: A smart discrete and fully functional mini in-ground/path light. The LASER LED in-ground/path light is a tough and robust luminaire and is designed for all discrete lighting effects. With a IP68 rating and the unique Bevel edge design the Laser is sure to please.

Data: The LASER in-ground/path light is made from imported 316 stainless steel, unique bevel edge design, toughened glass, 1x 1W Cree LED used, 12° beam angle, Warm White 3200K colour LED, IP68 rated, 12/24V DC, 3mtrs rubberised cable. Rated at 50,000 hrs.

Size: Overall height: 45mm  
Overall diameter: 44mm  
Front face diameter: 60mm

Cutout: 50mm

Requires: Constant Voltage 12-24V DC LED driver located in the power supply section of the catalogue. Optional mounting tube if required.



**Domus Lighting**

29-31 Richland Street Kingsgrove NSW 2208

Phone: (02) 9554 9600 | Fax: (02) 9554 9433 | Email: sales@domuslighting.com