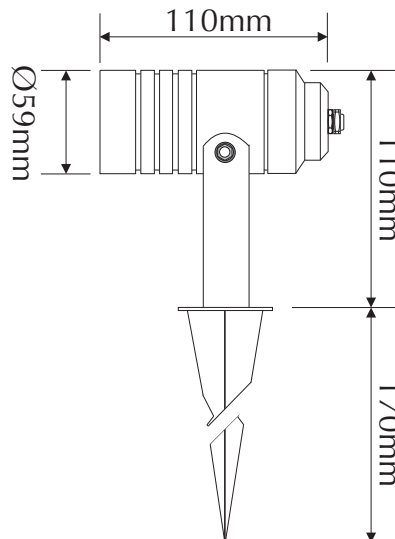


EVELITE-SPIKE-W



CREE



Order Code: **19500**

Product Code: **EVELITE-SPIKE-W**

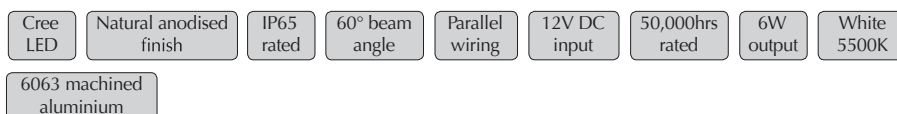
Colour: **White** 5500K

Description: A smart, fashionable and contemporary spike light. The ELITE has many applications including garden and pathway lighting. The ELITE is made from high quality 6063 machined and anodised and together with the high power LED lamp you can be assured of many years of low power and maintenance free garden lighting.

Data: The ELITE garden spike is made from 6063 machined aluminium with a natural anodised finish, tempered glass, flood effect, 60° beam angle, 3 x 2W Cree LED, White colour LED 5500K, 450 lumens, IP65 rated, 12V DC, 1.5mtrs rubberised cable, rated at 50,000 hrs.

Size: Overall height: 280mm (head and spike)
Head length: 110mm
Front face diameter: 59mm

Requires: Constant Voltage 12V DC LED driver located in the power supply section of the catalogue.



Domus Lighting

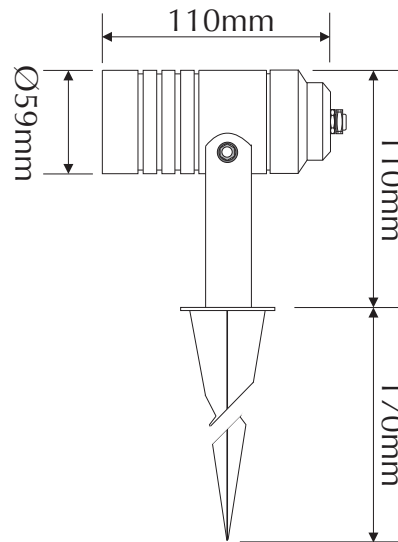
29-31 Richland Street Kingsgrove NSW 2208

Phone: (02) 9554 9600 | Fax: (02) 9554 9433 | Email: sales@domuslighting.com

EVELITE-SPIKE-WW



CREE ←



Order Code: **19501**

Product Code: **EVELITE-SPIKE-WW**

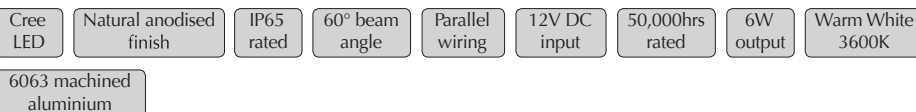
Colour: **Warm White** 3600K

Description: A smart, fashionable and contemporary spike light. The ELITE has many applications including garden and pathway lighting. The ELITE is made from high quality 6063 machined and anodised and together with the high power LED lamp you can be assured of many years of low power and maintenance free garden lighting.

Data: The ELITE garden spike is made from 6063 machined aluminium with a natural anodised finish, tempered glass, flood effect, 60° beam angle, 3 x 2W Cree LED, Warm White colour LED 3600K, 385 lumens, IP65 rated, 12V DC, 1.5mtrs rubberised cable, rated at 50,000 hrs.

Size: Overall height: 280mm (head and spike)
Head length: 110mm
Front face diameter: 59mm

Requires: Constant Voltage 12V DC LED driver located in the power supply section of the catalogue.



Domus Lighting

29-31 Richland Street Kingsgrove NSW 2208

Phone: (02) 9554 9600 | Fax: (02) 9554 9433 | Email: sales@domuslighting.com