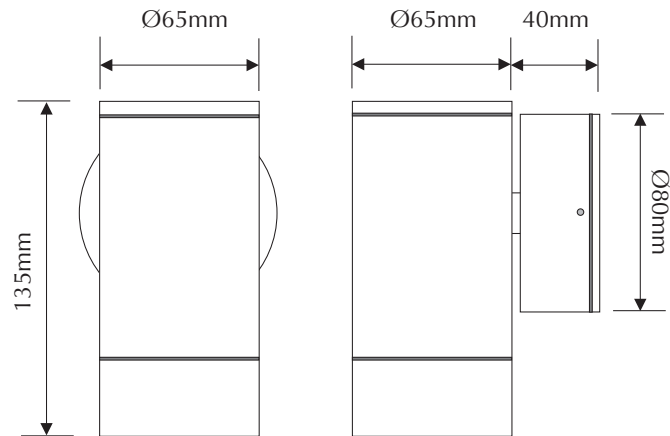


EVELITE-1-W



Order Code: **19405**

Product Code: **EVELITE-1-W**

Colour: **White** 5500K
Aluminium Natural Anodised

Description: The ELITE exterior wall light make a great alternative to the stainless steel fixtures with its architectural appearance and finish.

Data: The ELITE exterior wall light is made from 6063 grade Aluminium, Natural Anodised finish, round body, down facing, silicon gaskets and seals, GU10 lamp holder, 1 x 6W LED lamp, 3 x 2W CREE LED, White 5500K colour temp, 60° beam angle, IP54 rating, 240V AC direct input.

Size: Back plate: (Ø) 80mm x (D) 40mm
 Body: (Ø) 65mm x (L) 135mm

Additional: The above fitting is non dimmable.

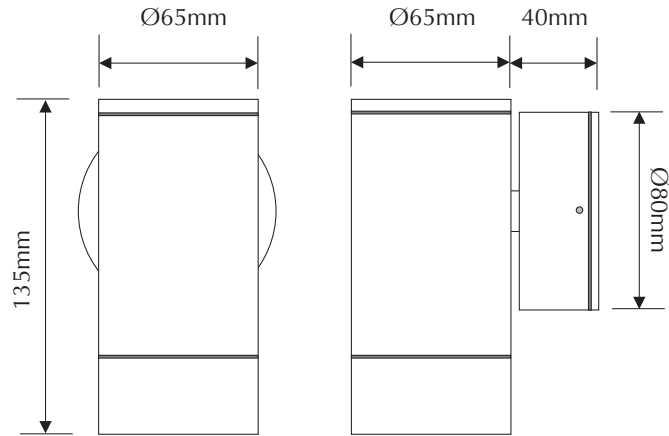


Domus Lighting

29-31 Richland Street Kingsgrove NSW 2208

Phone: (02) 9554 9600 | Fax: (02) 9554 9433 | Email: sales@domuslighting.com

EVELITE-1-WW



Order Code: **19404**

Product Code: **EVELITE-1-WW**

Colour: **Warm White** 3600K
Aluminium Natural Anodised

Description: The ELITE exterior wall light make a great alternative to the stainless steel fixtures with its architectural appearance and finish.

Data: The ELITE exterior wall light is made from 6063 grade Aluminium, Natural Anodised finish, round body, down facing, silicon gaskets and seals, GU10 lamp holder, 1 x 6W LED lamp, 3 x 2W CREE LED, Warm White 3600K colour temp, 60° beam angle, IP54 rating, 240V AC direct input.

Size: Back plate: (Ø) 80mm x (D) 40mm
 Body: (Ø) 65mm x (L) 135mm

Additional: The above fitting is non dimmable.

- | | | | | | | | |
|----------------|-----------------|-------------------------|----------------|-------------------------------------|------------|--------------------|------------------|
| 6063 Aluminium | CREE LED inside | Natural Anodised finish | 60° beam angle | 1 x 6W high power LED lamp included | IP54 rated | GU10 mains voltage | Warm White 3600K |
|----------------|-----------------|-------------------------|----------------|-------------------------------------|------------|--------------------|------------------|

Domus Lighting

29-31 Richland Street Kingsgrove NSW 2208

Phone: (02) 9554 9600 | Fax: (02) 9554 9433 | Email: sales@domuslighting.com